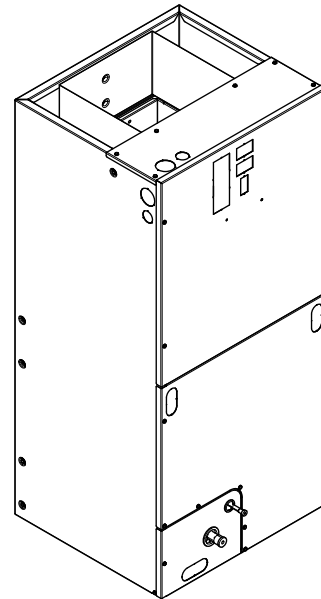


# Product Data

## Convertible Air Handlers 1-1/2 – 5 Ton

TEM4A0B18S21SC  
TEM4A0B19M21SB  
TEM4A0B24S21SC  
TEM4A0B30S31SC  
TEM4A0B31M31SB  
TEM4A0B36S31SC  
TEM4A0C37S31SC  
TEM4A0C42S41SC  
TEM4A0C43M41SB  
TEM4A0C48S41SC  
TEM4A0C49M41SB  
TEM4A0C60S51SC  
TEM4A0C61M51SB



*The TEM4 series air handler is designed for installation in a closet, utility room, alcove, basement, crawlspace or attic. These versatile units are applicable to air conditioning and heat pump applications. Several models are available to meet the specific requirements of the outdoor equipment. Field installed electric resistance heaters are available.*

## Table of Contents

Features and Benefits.....	3
Optional Equipment.....	3
Product Specifications.....	4
Heater Pressure Drop Table TEM Air Handler Models.....	8
Minimum Airflow CFM .....	9
Air Handler and Heater Matrix Allowable Combinations.....	11
Performance and Electrical Data .....	12
Electrical Data .....	25
Field Wiring.....	26
TEM Convertibility.....	27
TEM4 Air Handler Dimensional Data.....	28
Outline Drawing .....	29

## Features and Benefits

- Painted metal cabinet with captured foil face insulation
- 2% or less air leakage
- R-4.2 Insulating Value
- Multi-Position UP/Down Flow, Horizontal Left /Right
- ALL Aluminum Coil
- Electric Heaters with polarized plug connections (sold as accessory)
- R-410A Thermal Expansion Valve
- ECM Motor **(3.5 – 5 Ton Models )**
- Low Voltage Pigtail Connections
- Draw Through Design
- Horizontal Drain pan
- Fused 24V Power
- **3 year warranty**
- **10-year warranty registered**
- **Optional extended warranty available**

*Important: Condensate management kit is required for all 5 ton air handler models installed in downflow applications.*

## Optional Equipment

Accessory Number	Description	Fits Cabinet Size
BAYHTR1504BRK	Electric Heater, 4KW, Breaker, 24V Control, 1 Ph	18.5" and 23.5"
BAYHTR1504LUG	Electric Heater, 4KW, Lug, 24V Control, 1 Ph	18.5" and 23.5"
BAYHTR1505BRK	Electric Heater, 5KW, Breaker, 24V Control, 1 Ph	18.5" and 23.5"
BAYHTR1505LUG	Electric Heater, 5KW, Lug, 24V Control, 1 Ph	18.5" and 23.5"
BAYHTR1508BRK	Electric Heater, 8KW, Breaker, 24V Control, 1 Ph	18.5" and 23.5"
BAYHTR1508LUG	Electric Heater, 8KW, Lug, 24V Control, 1 Ph	18.5" and 23.5"
BAYHTR1510BRK	Electric Heater, 10KW, Breaker, 24V Control, 1 Ph	18.5" and 23.5"
BAYHTR1510LUG	Electric Heater, 10KW, Lug, 24V Control, 1 Ph	18.5" and 23.5"
BAYHTR3510LUG	Electric Heater, 10KW, Lug, 24V Control, 3 Ph	18.5" and 23.5"
BAYHTR1515BRK	Electric Heater, 15KW, Breaker, 24V Control, 1 Ph	18.5" and 23.5"
BAYHTR1517BRK	Electric Heater, 15KW, Breaker, 24V Control, 1 Ph	18.5" and 23.5"
BAYHTR3515LUG	Electric Heater, 15KW, Lug, 24V Control, 3 Ph	18.5" and 23.5"
BAYHTR3517LUG	Electric Heater, 15KW, Lug, 24V Control, 3 Ph	18.5" and 23.5"
BAYHTR1519BRK	Electric Heater, 20KW, Breaker, 24V Control, 1 Ph	18.5"
BAYHTR1520BRK	Electric Heater, 20KW, Breaker, 24V Control, 1 Ph	23.5"
BAYHTR1521BRK	Electric Heater, 20KW, Breaker, 24V Control, 1 Ph	23.5"
BAYHTR1523BRK	Electric Heater, 20KW, Breaker, 24V Control, 1 Ph	23.5"
BAYHTR1525BRK	Electric Heater, 25KW, Breaker, 24V Control, 1 Ph	23.5"
BAYTEMSPFG1A	Supply Duct Flange Kit	18.5" and 23.5"
BAYSPEKT201A	Single Point Power Entry Kit	18.5" and 23.5"
TAYBASE185	Air Handler Downflow Sub-Bases	18.5"
TAYBASE235 (TAYBASE 100)	Air Handler Downflow Sub-Bases	23.5"
BAYSF1185AAA	Slim Fit Filter Box	18.5"
BAYSF1235AAA	Slim Fit Filter Box	23.5"
TEMBRKSEALT01A	Breaker Seal Kit for sure with BAYHTR15 4kW – 20kW Heaters	18.5" and 23.5"
TEMBRKSEALT25A	Breaker Seal Kit for use with 25 kW electric heaters & heater kits used with BAYSPEKT201	18.5" and 23.5"

## Product Specifications

<b>MODEL</b>	TEM4A0B18S21SC	TEM4A0B19M21SB	TEM4A0B24S21SC	TEM4A0B30S31SC
<b>RATED VOLTS/PH/HZ</b>	208-230/1/60	208-230/1/60	208-230/1/60	208-230/1/60
<b>RATINGS</b> <sup>(a)</sup>	See O.D. Specifications	See O.D. Specifications	See O.D. Specifications	See O.D. Specifications
<b>INDOOR COIL — Type</b>	Plate Fin	Plate Fin	Plate Fin	Plate Fin
Rows — F.P.I.	3 - 14	3 - 14	3 - 14	3 - 14
Face Area (sq. ft.)	4.37	4.37	4.37	4.37
Tube Size (in.)	3/8	3/8	3/8	3/8
Refrigerant Control	TXV	TXV	TXV	TXV
Drain Conn. Size (in.) <sup>(b)</sup>	3/4 NPT	3/4 NPT	3/4 NPT	3/4 NPT
<b>DUCT CONNECTIONS</b>	<b>See Outline Drawing</b>	<b>See Outline Drawing</b>	<b>See Outline Drawing</b>	<b>See Outline Drawing</b>
<b>INDOOR FAN — Type</b>	Centrifugal	Centrifugal	Centrifugal	Centrifugal
Diameter-Width (In.)	11 X 6	11 X 6	11 X 6	11 X 8
No. Used	1	1	1	1
Drive - No. Speeds	Direct - 3	Direct - 4	Direct - 3	Direct - 3
CFM vs. in. w.g.	See Fan Performance Table	See Fan Performance Table	See Fan Performance Table	See Fan Performance Table
No. Motors — H.P.	1 - 1/5	1 - 1/3	1 - 1/5	1 - 1/3
Motor Speed R.P.M.	825	1050	825	825
Volts/Ph/Hz	208-230/1/60	208-230/1/60	208-230/1/60	208-230/1/60
F.L. Amps	1.2	2.8	1.2	2.0
<b>FILTER</b>				
Filter Furnished? <sup>(c)</sup>	No	No	No	No
<b>REFRIGERANT</b>	<b>R-410A</b>	<b>R-410A</b>	<b>R-410A</b>	<b>R-410A</b>
Ref. Line Connections	Brazed	Brazed	Brazed	Brazed
Coupling or Conn. Size — in. Gas	3/4	3/4	3/4	3/4
Coupling or Conn. Size — in. Liq.	3/8	3/8	3/8	3/8
<b>DIMENSIONS</b>	H x W x D	H x W x D	H x W x D	H x W x D
Crated (In.)	46 x 21 x 24	46 x 21 x 24	46 x 21 x 24	46 x 21 x 24
Uncrated	45-1/8 x 18-1/2 x 21-1/8	45-1/8 x 18-1/2 x 21-1/8	45-1/8 x 18-1/2 x 21-1/8	45-1/8 x 18-1/2 x 21-1/8
<b>WEIGHT</b>				
Shipping (Lbs.) / Net (Lbs.)	116/110	116/110	116/110	116/110

<sup>(a)</sup> These Air Handlers are A.H.R.I certified with various Split System Air Conditioners and Heat Pumps (AHRI STANDARD 210/240). Refer to the Split System Outdoor Unit Product Data Guides for performance data.

<sup>(b)</sup> 3/4" Male Plastic Pipe (Ref: ASTM 1785-76)

<sup>(c)</sup> Remote filter required.

**Product Specifications**

<b>MODEL</b>	TEM4A0B31M31SB	TEM4A0B36S31SC	TEM4A0C37S31SC	TEM4A0C42S41SC
<b>RATED VOLTS/PH/HZ</b>	208-230/1/60	208-230/1/60	208-230/1/60	208-230/1/60
<b>RATINGS<sup>(a)</sup></b>	See O.D. Specifications	See O.D. Specifications	See O.D. Specifications	See O.D. Specifications
<b>INDOOR COIL — Type</b>	Plate Fin	Plate Fin	Plate Fin	Plate Fin
Rows — F.P.I.	4 - 14	3 - 14	3 - 14	3 - 14
Face Area (sq. ft.)	3.44	4.37	5.50	5.50
Tube Size (in.)	3/8	3/8	3/8	3/8
Refrigerant Control	TXV	TXV	TXV	TXV
Drain Conn. Size (in.) <sup>(b)</sup>	3/4 NPT	3/4 NPT	3/4 NPT	3/4 NPT
<b>DUCT CONNECTIONS</b>	<b>See Outline Drawing</b>	<b>See Outline Drawing</b>	<b>See Outline Drawing</b>	<b>See Outline Drawing</b>
<b>INDOOR FAN — Type</b>	Centrifugal	Centrifugal	Centrifugal	Centrifugal
Diameter-Width (In.)	11 X 8	11 X 8	11 X 8	11 X 8
No. Used	1	1	1	1
Drive - No. Speeds	Direct - 5	Direct - 3	Direct - 3	Direct - 3 <sup>(c)</sup>
CFM vs. in. w.g.	See Fan Performance Table	See Fan Performance Table	See Fan Performance Table	See Fan Performance Table
No. Motors — H.P.	1 - 1/3	1 - 1/3	1 - 1/3	1 - 1/2
Motor Speed R.P.M.	1050	825	825	1050
Volts/Ph/Hz	208-230/1/60	208-230/1/60	208-230/1/60	208-230/1/60
F.L. Amps	2.8	2.0	2.5	4.1
<b>FILTER</b>				
Filter Furnished? <sup>(d)</sup>	No	No	No	No
<b>REFRIGERANT</b>	<b>R-410A</b>	<b>R-410A</b>	<b>R-410A</b>	<b>R-410A</b>
Ref. Line Connections	Brazed	Brazed	Brazed	Brazed
Coupling or Conn. Size — in. Gas	3/4	3/4	7/8	7/8
Coupling or Conn. Size — in. Liq.	3/8	3/8	3/8	3/8
<b>DIMENSIONS</b>	H x W x D	H x W x D	H x W x D	H x W x D
Crated (In.)	48-1/4 x 22-1/2 x 25-1/2	46 x 21 x 24	52-1/2 x 26 x 24	52-1/2 x 26 x 24
Uncrated	46-3/4 x 18-1/2 x 21-1/8	45-1/8 x 18-1/2 x 21-1/8	51-3/8 x 23-1/2 x 21-1/8	51-3/8 x 23-1/2 x 21-1/8
<b>WEIGHT</b>				
Shipping (Lbs.) / Net (Lbs.)	145/138	116/110	145/138	145/138

<sup>(a)</sup> These Air Handlers are A.H.R.I certified with various Split System Air Conditioners and Heat Pumps (AHRI STANDARD 210/240). Refer to the Split System Outdoor Unit Product Data Guides for performance data.

<sup>(b)</sup> 3/4" Male Plastic Pipe (Ref: ASTM 1785-76)

<sup>(c)</sup> ECM Motor

<sup>(d)</sup> Remote filter required.

## Product Specifications

MODEL	TEM4A0C43M41SB	TEM4A0C48S41SC	TEM4A0C49M41SB	TEM4A0C60S51SC
<b>RATED VOLTS/PH/HZ</b>	208-230/1/60	208-230/1/60	208-230/1/60	208-230/1/60
<b>RATINGS</b> <sup>(a)</sup>	See O.D. Specifications	See O.D. Specifications	See O.D. Specifications	See O.D. Specifications
<b>INDOOR COIL — Type</b>	Plate Fin	Plate Fin	Plate Fin	Plate Fin
Rows — F.P.I.	4 - 14	3 - 14	3 - 16	4 - 14
Face Area (sq. ft.)	4.59	5.50	7.9	5.91
Tube Size (in.)	3/8	3/8	3/8	3/8
Refrigerant Control	TXV	TXV	TXV	TXV
Drain Conn. Size (in.) <sup>(b)</sup>	3/4 NPT	3/4 NPT	3/4 NPT	3/4 NPT
<b>DUCT CONNECTIONS</b>	<b>See Outline Drawing</b>	<b>See Outline Drawing</b>	<b>See Outline Drawing</b>	<b>See Outline Drawing</b>
<b>INDOOR FAN — Type</b>	Centrifugal	Centrifugal	Centrifugal	Centrifugal
Diameter-Width (In.)	11 X 8	11 X 8	11 X 11	11 X 11
No. Used	1	1	1	1
Drive - No. Speeds	Direct - 5 <sup>(c)</sup>	Direct - 3 <sup>(c)</sup>	Direct - 5 <sup>(c)</sup>	Direct - 3 <sup>(c)</sup>
CFM vs. in. w.g.	See Fan Performance Table	See Fan Performance Table	See Fan Performance Table	See Fan Performance Table
No. Motors — H.P.	1 - 1/2	1 - 3/4	1 - 3/4	1 - 3/4
Motor Speed R.P.M.	1050	1050	1050	1050
Volts/Ph/Hz	208-230/1/60	208-230/1/60	208-230/1/60	208-230/1/60
F.L. Amps	4.1	6.0	6.0	6.0
<b>FILTER</b>				
Filter Furnished? <sup>(d)</sup>	No	No	No	No
<b>REFRIGERANT</b>	<b>R-410A</b>	<b>R-410A</b>	<b>R-410A</b>	<b>R-410A</b>
Ref. Line Connections	Brazed	Brazed	Brazed	Brazed
Coupling or Conn. Size — in. Gas	7/8	7/8	7/8	7/8
Coupling or Conn. Size — in. Liq.	3/8	3/8	3/8	3/8
<b>DIMENSIONS</b>	H x W x D	H x W x D	H x W x D	H x W x D
Crated (In.)	52-3/4 x 27-1/2 x 25-1/2	52-1/2 x 26 x 24	57-11/16 x 27-1/2 x 25-1/2	52-1/2 x 26 x 24
Uncrated	51-3/8 x 23-1/2 x 21-1/8	51-3/8 x 23-1/2 x 21-1/8	57-3/8 x 23-1/2 x 21-1/8	51-3/8 x 23-1/2 x 21-1/8
<b>WEIGHT</b>				
Shipping (Lbs.) / Net (Lbs.)	155/144	145/138	185/174	145/138

<sup>(a)</sup> These Air Handlers are A.H.R.I certified with various Split System Air Conditioners and Heat Pumps (AHRI STANDARD 210/240). Refer to the Split System Outdoor Unit Product Data Guides for performance data.

<sup>(b)</sup> 3/4" Male Plastic Pipe (Ref: ASTM 1785-76)

<sup>(c)</sup> ECM Motor

<sup>(d)</sup> Remote filter required.

<b>MODEL</b>	TEM4A0C61M51SB
<b>RATED VOLTS/PH/HZ</b>	208-230/1/60
<b>RATINGS</b> <sup>(a)</sup>	See O.D. Specifications
<b>INDOOR COIL — Type</b>	Plate Fin
Rows — F.P.I.	3 - 16
Face Area (sq. ft.)	7.9
Tube Size (in.)	3/8
Refrigerant Control	TXV
Drain Conn. Size (in.) <sup>(b)</sup>	3/4 NPT
<b>DUCT CONNECTIONS</b>	<b>See Outline Drawing</b>
<b>INDOOR FAN — Type</b>	Centrifugal
Diameter-Width (In.)	11 X 11
No. Used	1
Drive - No. Speeds	Direct - 5 <sup>(c)</sup>
CFM vs. in. w.g.	See Fan Performance Table
No. Motors — H.P.	1 - 3/4
Motor Speed R.P.M.	1050
Volts/Ph/Hz	208-230/1/60
F.L. Amps	6.0
<b>FILTER</b>	
Filter Furnished? <sup>(d)</sup>	No
<b>REFRIGERANT</b>	<b>R-410A</b>
Ref. Line Connections	Brazed
Coupling or Conn. Size — in. Gas	7/8
Coupling or Conn. Size — in. Liq.	3/8
<b>DIMENSIONS</b>	H x W x D
Crated (In.)	57-11/16 x 27-1/2 x 25-1/2
Uncrated	57-3/8 x 23-1/2 x 21-1/8
<b>WEIGHT</b>	
Shipping (Lbs.) / Net (Lbs.)	185/174

<sup>(a)</sup> These Air Handlers are A.H.R.I certified with various Split System Air Conditioners and Heat Pumps (AHRI STANDARD 210/240). Refer to the Split System Outdoor Unit Product Data Guides for performance data.

<sup>(b)</sup> 3/4" Male Plastic Pipe (Ref: ASTM 1785-76)

<sup>(c)</sup> ECM Motor

<sup>(d)</sup> Remote filter required.

# Heater Pressure Drop Table TEM Air Handler Models

Airflow CFM	Number of Racks				Heater Racks	
	1	2	3	4	Heater Model	No. of Racks
	Air Pressure Drop — Inches W.G.					
1800	0.02	0.04	0.06	0.14	BAYHTR1504	1
1700	0.02	0.04	0.06	0.14	BAYHTR1505	1
1600	0.02	0.04	0.06	0.13	BAYHTR1508	2
1500	0.02	0.04	0.06	0.12	BAYHTR1510	2
1400	0.02	0.04	0.06	0.12	BAYHTR3510	3
1300	0.02	0.04	0.05	0.11	BAYHTR1517	3
1200	0.01	0.04	0.05	0.10	BAYHTR3517	3
1100	0.01	0.03	0.05	0.09	BAYHTR1523	4
1000	0.01	0.03	0.04	0.09	BAYHTR1525	4
900	0.01	0.03	0.04	0.08		
800	0.01	0.03				
700	0.01	0.02				
600	0.01	0.02				



# Minimum Airflow CFM

TEM4A0B18S21SC, TEM4A0B24S21SC		
Heater	Minimum Heat Speed Tap	
	With Heat Pump	Without Heat Pump
BAYHTR1504BRK, BAYHTR1504LUG, BAYHTR1505BRK, BAYHTR1505LUG	Med	Low
BAYHTR1508BRK, BAYHTR1508LUG, BAYHTR1510BRK, BAYHTR1510LUG, BAYHTR3510LUG	Med	Low

TEM4A0B19M21SB		
Heater	Minimum Heat Speed Tap	
	With Heat Pump	Without Heat Pump
BAYHTR1504BRK, BAYHTR1504LUG, BAYHTR1505BRK, BAYHTR1505LUG	Low	Low
BAYHTR1508BRK, BAYHTR1508LUG, BAYHTR1510BRK, BAYHTR1510LUG, BAYHTR3510LUG	High	Med

TEM4A0B30S31SC, TEM4A0B36S31SC		
Heater	Minimum Heat Speed Tap	
	With Heat Pump	Without Heat Pump
BAYHTR1504BRK, BAYHTR1504LUG, BAYHTR1505BRK, BAYHTR1505LUG	Low	Low
BAYHTR1508BRK, BAYHTR1508LUG, BAYHTR1510BRK, BAYHTR1510LUG, BAYHTR3510LUG	Low	Low
BAYHTR1517BRK	Med	Low
BAYHTR3517LUG	High	Low

TEM4A0B31M31SB		
Heater	Minimum Heat Speed Tap	
	With Heat Pump	Without Heat Pump
BAYHTR1504BRK, BAYHTR1504LUG, BAYHTR1505BRK, BAYHTR1505LUG	Low	Low
BAYHTR1508BRK, BAYHTR1508LUG, BAYHTR1510BRK, BAYHTR1510LUG	Med-High	Med-Low
BAYHTR1517BRK, BAYHTR3517LUG, BAYHTR3510LUG	High	Med

TEM4A0C37S31SC		
Heater	Minimum Heat Speed Tap	
	With Heat Pump	Without Heat Pump
BAYHTR1504BRK, BAYHTR1504LUG, BAYHTR1505BRK, BAYHTR1505LUG	Low	Low
BAYHTR1508BRK, BAYHTR1508LUG, BAYHTR1510BRK, BAYHTR1510LUG, BAYHTR3510LUG	Low	Low
BAYHTR1517BRK	Low	Low
BAYHTR1523BRK	High	High
BAYHTR3517LUG	Low	Low

**Minimum Airflow CFM**

<b>TEM4A0C42S41SC</b>		
<b>Heater</b>	<b>Minimum Heat Speed Tap</b>	
	With Heat Pump	Without Heat Pump
BAYHTR1504BRK, BAYHTR1504LUG, BAYHTR1505BRK, BAYHTR1505LUG	Low	Low
BAYHTR1508BRK, BAYHTR1508LUG, BAYHTR1510BRK, BAYHTR1510LUG, BAYHTR3510LUG	Low	Low
BAYHTR1517BRK	Low	Low
BAYHTR1523BRK	Med	Low
BAYHTR3517LUG	Low	Low

<b>TEM4A0C43M41SB</b>		
<b>Heater</b>	<b>Minimum Heat Speed Tap</b>	
	With Heat Pump	Without Heat Pump
BAYHTR1504BRK, BAYHTR1504LUG, BAYHTR1505BRK, BAYHTR1505LUG	Low	Low
BAYHTR1508BRK, BAYHTR1508LUG, BAYHTR1510BRK, BAYHTR1510LUG	Med-High	Med-Low
BAYHTR1523BRK	Med-High	Med
BAYHTR1517BRK, BAYHTR3517LUG, BAYHTR3510LUG	High	Med

<b>TEM4A0C48S41SC, TEM4A0C60S51SC</b>		
<b>Heater</b>	<b>Minimum Heat Speed Tap</b>	
	With Heat Pump	Without Heat Pump
BAYHTR1504BRK, BAYHTR1504LUG, BAYHTR1505BRK, BAYHTR1505LUG	Low	Low
BAYHTR1508BRK, BAYHTR1508LUG, BAYHTR1510BRK, BAYHTR1510LUG, BAYHTR3510LUG	Low	Low
BAYHTR1517BRK	Low	Low
BAYHTR1523BRK	Low	Low
BAYHTR1525BRK	Low	Low
BAYHTR3517LUG	Low	Low

<b>TEM4A0C49M41SB, TEM4A0C61M51SB</b>		
<b>Heater</b>	<b>Minimum Heat Speed Tap</b>	
	With Heat Pump	Without Heat Pump
BAYHTR1504BRK, BAYHTR1504LUG, BAYHTR1505BRK, BAYHTR1505LUG, BAYHTR1508BRK, BAYHTR1508LUG, BAYHTR1510BRK, BAYHTR1510LUG, BAYHTR3510LUG	Med-Low	Med-Low
BAYHTR1517BRK, BAYHTR3517LUG	Med	Med
BAYHTR1523BRK, BAYHTR1525BRK	Med-High	Med

## Air Handler and Heater Matrix Allowable Combinations

**Table 1. TEM4 MINIMUM HEATER AIRFLOW CFM — HEATER MATRIX**

Model No.	BAYHTR1504BRK * BAYHTR1504LUG * BAYHTR1505BRK * BAYHTR1505LUG *	BAYHTR1508BRK * BAYHTR1508LUG * BAYHTR1510BRK * BAYHTR1510LUG * BAYHTR3510LUG *	BAYHTR1517BRK *	BAYHTR1523BRK *	BAYHTR1525BRK *	BAYHTR3517LUG *
TEM4A0B18S21SC *	L / M	L / M	--	--	--	--
TEM4A0B19M21SB *	L / L	M / H	--	--	--	--
TEM4A0B24S21SC *	L / M	L / M	--	--	--	--
TEM4A0B30S31SC *	L / L	L / L	L / M	--	--	L / H
TEM4A0B31M31SB *	L / L	M-L / M-H	M / H	--	--	M / H
TEM4A0B36S31SC *	L / L	L / L	L / M	--	--	L / H
TEM4A0C37S31SC *	L / L	L / L	L / L	H / H	--	L / L
TEM4A0C42S41SC *	L / L	L / L	L / L	L / M	--	L / L
TEM4A0C43M41SB *	L / L	M-L / M-H	M / H	M / M-H	--	M / H
TEM4A0C48S41SC *	L / L	L / L	L / L	L / L	L / L	L / L
TEM4A0C49M41SB *	M-L / M-L	M-L / M-L	M / M	M / M-H	M / M-H	M / M
TEM4A0C60S51SC *	L / L	L / L	L / L	L / L	L / L	L / L
TEM4A0C61M51SB *	M-L / M-L	M-L / M-L	M / M	M / M-H	M / M-H	M / M
1. Cooling / HP Airflow 2. * = Followed by two digits						

## Performance and Electrical Data

**Table 2. Air Flow Performance**

TEM4A0B18S21SC, TEM4A0B24S21SC (a)						
EXTERNAL STATIC (in w.g)	AIRFLOW					
	Speed Taps — 230 VOLTS			Speed Taps — 208 VOLTS		
	High	Med	Low †	High	Med	Low †
0.1	1094	927	773	1052	849	658
0.2	1032	880	735	990	807	624
0.3	955	818	678	915	750	578
0.4	864	739	601	826	679	518
0.5	759	645	505	723	591	441
0.6	639	534	389	606	490	
0.7	505	408		476	374	

1. Values are with wet coil, no filter, and no heaters  
2. CFM Correction for dry coil = Add 3%  
3. † = Factory setting

(a) For the TEM4A0B24S21SB, the recommended speed tap is medium at 0.4" external static pressure.

**Table 3. Electrical Data**

TEM4A0B18S21SC, TEM4A0B24S21SC											
Heater Model No.	No. of Circuits/ Phases	240 Volt					208 Volt				
		Capacity		Heater Amps per Circuit	Minimum Circuit Ampacity	Maximum Overload Protection	Capacity		Heater Amps per Circuit	Minimum Circuit Ampacity	Maximum Overload Protection
		kW	BTUH				kW	BTUH			
No Heater				1.2 *	2	15			1.2 *	2	15
BAYHTR1504BRK BAYHTR1504LUG	1/1	3.84	13100	16.0	22	25	2.88	9800	13.8	19	20
BAYHTR1505BRK BAYHTR1505LUG	1/1	4.80	16400	20.0	27	30	3.60	12300	17.3	23	25
BAYHTR1508BRK BAYHTR1508LUG	1/1	7.68	26200	32.0	42	45	5.76	19700	27.7	36	40
BAYHTR1510BRK BAYHTR1510LUG	1/1	9.60	32800	40.0	52	60	7.20	24600	34.6	45	45
BAYHTR3510LUG	1/3	9.60	32800	23.1	30	30	7.20	24600	20.0	26	30

\* = Motor Amps

Performance and Electrical Data

Table 4. Air Flow Performance

TEM4A0B19M21SB				
EXTERNAL STATIC (in w.g)	AIRFLOW			
	Speed Taps — 208 – 230 VOLTS			
	High	Med-High	Med †	Low
0.1	860	773	652	589
0.2	817	732	589	528
0.3	767	679	515	445
0.4	709	612	431	339
0.5	644	533	336	210
0.6	571	441	232	
0.7	491	336	116	

1. Values are with wet coil, no filter, and no heaters
2. CFM Correction for dry coil = Add 3%
3. † = Factory Setting
4. Low = Taps 1-2, Med = Tap 3, Med-High= Tap 4, High = Tap 5

Table 5. Electrical Data

TEM4A0B19M21SB											
Heater Model No.	No. of Circuits/ Phases	240 Volt					208 Volt				
		Capacity		Heater Amps per Circuit	Minimum Circuit Ampacity	Maximum Overload Protection	Capacity		Heater Amps per Circuit	Minimum Circuit Ampacity	Maximum Overload Protection
		kW	BTUH				kW	BTUH			
No Heater				4.1 *	8	15			4.1 *	8	15
BAYHTR1504BRK BAYHTR1504LUG	1/1	3.8	13100	16.0	28	30	2.9	9800	13.8	25	25
BAYHTR1505BRK BAYHTR1505LUG	1/1	4.8	16400	20.0	33	35	3.6	12300	17.3	29	30
BAYHTR1508BRK BAYHTR1508LUG	1/1	7.7	26200	32.0	48	50	5.8	19700	27.7	42	45
BAYHTR1510BRK BAYHTR1510LUG	1/1	9.6	32800	40.0	58	60	7.2	24600	34.6	51	60
BAYHTR3510LUG	1/3	9.6	32800	23.1	36	40	7.2	24600	20.0	32	35

\* = Motor Amps

## Performance and Electrical Data

**Table 6. Air Flow Performance**

TEM4A0B30S31SC, TEM4A0B36S31SC						
EXTERNAL STATIC (in w.g)	AIRFLOW					
	Speed Taps — 230 VOLTS			Speed Taps — 208 VOLTS		
	High	Med	Low †	High	Med	Low †
0.1	1391	1305	1059	1338	1146	902
0.2	1305	1231	1029	1257	1098	868
0.3	1203	1138	970	1159	1027	817
0.4	1083	1027	884	1044	935	753
0.5	948	899	769	913	823	664
0.6	795	752	626	766	692	
0.7	626	587		603	542	

1. Values are with wet coil, no filter, and no heaters
2. CFM Correction for dry coil = Add 3%
3. † = Factory setting
4. In downflow applications, airflow must not exceed 1200 cfm due to condensate blowoff.

**Table 7. Electrical Data**

TEM4A0B30S31SC, TEM4A0B36S31SC											
Heater Model No.	No. of Circuits/ Phases	240 Volt					208 Volt				
		Capacity		Heater Amps per Circuit	Minimum Circuit Ampacity	Maximum Overload Protection	Capacity		Heater Amps per Circuit	Minimum Circuit Ampacity	Maximum Overload Protection
		kW	BTUH				kW	BTUH			
No Heater				2.0 *	3	15			2.0 *	3	15
BAYHTR1504BRK BAYHTR1504LUG	1/1	3.84	13100	16.0	23	25	2.88	9800	13.8	20	20
BAYHTR1505BRK BAYHTR1505LUG	1/1	4.8	16400	20.0	28	30	3.6	12300	17.3	24	25
BAYHTR1508BRK BAYHTR1508LUG	1/1	7.68	26200	32.0	43	45	5.76	19700	27.7	37	40
BAYHTR1510BRK BAYHTR1510LUG	1/1	9.6	32800	40.0	53	60	7.2	24600	34.6	46	50
BAYHTR1517BRK- Circuit 1 <sup>(a)</sup>	2/1	9.6	32800	40.0	53	60	7.2	24600	34.6	46	50
BAYHTR1517BRK- Circuit 2		4.8	16400	20.0	25	25	3.6	12300	17.3	22	25
BAYHTR3510LUG	1/3	9.6	32800	23.1	31	35	7.2	24600	20.0	27	30
BAYHTR3517LUG	1/3	14.4	49100	34.6	45	50	10.8	36900	30.0	40	40
BAYHTR1517BRK with single circuit power source kit BAYSPEKT201A	1/1	14.4	49100	60.0	83	90	10.8	36900	51.9	73	80

\* = Motor Amps

<sup>(a)</sup> MCA and MOP for circuit 1 contains the motor amps

Performance and Electrical Data

Table 8. Air Flow Performance

TEM4A0B31M31SB					
EXTERNAL STATIC (in w.g)	AIRFLOW				
	Speed Taps — 208 – 230 VOLTS				
	High	Med-High	Med †	Med-Low	Low
0.1	1072	985	901	820	661
0.2	1028	940	863	774	605
0.3	983	893	820	722	540
0.4	938	845	772	666	465
0.5	891	795	719	605	381
0.6	844	744	661	539	288
0.7	796	691	598	468	

- Values are with wet coil, no filter, and no heaters
- CFM Correction for dry coil = Add 3%
- † = Factory Setting
- In downflow applications, airflow must not exceed 1200 cfm due to condensate blowoff.
- Low = Tap 1, Med-Low = Tap 2, Med = Tap 3, Med-High= Tap 4, High = Tap 5

Table 9. Electrical Data

TEM4A0B31M31SB											
Heater Model No.	No. of Circuits/ Phases	240 Volt					208 Volt				
		Capacity		Heater Amps per Circuit	Minimum Circuit Ampacity	Maximum Overload Protection	Capacity		Heater Amps per Circuit	Minimum Circuit Ampacity	Maximum Overload Protection
		kW	BTUH				kW	BTUH			
No Heater				4.1 *	8	15			4.1 *	8	15
BAYHTR1504BRK BAYHTR1504LUG	1/1	3.8	13100	16.0	28	30	2.9	9800	13.8	25	25
BAYHTR1505BRK BAYHTR1505LUG	1/1	4.8	16400	20.0	33	35	3.6	12300	17.3	29	30
BAYHTR1508BRK BAYHTR1508LUG	1/1	7.7	26200	32.0	48	50	5.8	19700	27.7	42	45
BAYHTR1510BRK BAYHTR1510LUG	1/1	9.6	32800	40.0	58	60	7.2	24600	34.6	51	60
BAYHTR1517BRK- Circuit 1 <sup>(a)</sup>	2/1	9.6	32800	40.0	58	60	7.2	24600	34.6	51	60
BAYHTR1517BRK- Circuit 2		4.8	16400	20.0	25	25	3.6	12300	17.3	22	25
BAYHTR3510LUG	1/3	9.6	32800	23.1	36	40	7.2	24600	20.0	32	35
BAYHTR3517LUG	1/3	14.4	49100	34.6	50	50	10.8	36900	30.0	44	45
BAYHTR1517BRK with single circuit power source kit BAYSPEKT201A	1/1	14.4	49200	60.0	83	90	10.8	36900	51.9	73	80

\* = Motor Amps

(a) MCA and MOP for circuit 1 contains the motor amps.

**Performance and Electrical Data**

**Table 10. Air Flow Performance**

<b>TEM4A0C37S31SC</b>						
EXTERNAL STATIC (in w.g)	AIRFLOW					
	Speed Taps — 230 VOLTS			Speed Taps — 208 VOLTS		
	High	Med	Low †	High	Med	Low †
0.1	1723	1356	1254	1651	1211	1129
0.2	1682	1340	1259	1631	1216	1123
0.3	1605	1291	1228	1572	1188	1096
0.4	1492	1211	1162	1474	1127	1047
0.5	1343	1100	1059	1336	1032	977
0.6	1158	957	919	1159	905	886
0.7	998	782		942	744	

1. Values are with wet coil, no filter, and no heaters  
2. CFM Correction for dry coil = Add 3%  
3. † = Factory setting  
4. The recommended speed tap is low at 0.5" external static pressure.  
5. In downflow applications, airflow must not exceed 1600 cfm due to condensate blowoff.

**Table 11. Electrical Data**

<b>TEM4A0C37S31SC</b>											
Heater Model No.	No. of Circuits/ Phases	240 Volt					208 Volt				
		Capacity		Heater Amps per Circuit	Minimum Circuit Ampacity	Maximum Overload Protection	Capacity		Heater Amps per Circuit	Minimum Circuit Ampacity	Maximum Overload Protection
		kW	BTUH				kW	BTUH			
No Heater				2.5 *	3	15			2.5 *	3	15
BAYHTR1504BRK BAYHTR1504LUG	1/1	3.84	13100	16.0	23	25	2.88	9800	13.8	20	20
BAYHTR1505BRK BAYHTR1505LUG	1/1	4.8	16400	20.0	28	30	3.6	12300	17.3	25	25
BAYHTR1508BRK BAYHTR1508LUG	1/1	7.68	26200	32.0	43	45	5.76	19700	27.7	38	40
BAYHTR1510BRK BAYHTR1510LUG	1/1	9.6	32800	40.0	53	60	7.2	24600	34.6	46	50
BAYHTR1517BRK- Circuit 1 <sup>(a)</sup>	2/1	9.6	32800	40.0	53	60	7.2	24600	34.6	46	50
BAYHTR1517BRK- Circuit 2		4.8	16400	20.0	25	25	3.6	12300	17.3	22	25
BAYHTR1523BRK- Circuit 1 <sup>(a)</sup>	2/1	9.6	32800	40.0	53	60	7.2	24600	34.6	46	50
BAYHTR1523BRK- Circuit 2		9.6	32800	40.0	50	50	7.2	24600	34.6	43	45
BAYHTR3510LUG	1/3	9.6	32800	23.1	32	35	7.2	24600	20.0	28	30
BAYHTR3517LUG	1/3	14.4	49100	34.6	46	50	10.8	36900	30.0	40	40
BAYHTR1517BRK with single circuit power source kit BAYSPEKT201A	1/1	14.4	49200	60.0	83	90	10.8	36900	51.9	73	80
BAYHTR1523BRK with single circuit power source kit BAYSPEKT201A	1/1	19.2	65600	80.0	108	110	14.4	49200	69.2	94	100

\* = Motor Amps

<sup>(a)</sup> MCA and MOP for circuit 1 contains the motor amps



Performance and Electrical Data

Table 12. Air Flow Performance

TEM4A0C42S41SC			
EXTERNAL STATIC (in w.g)	AIRFLOW		
	Speed Taps — 208–230 VOLTS		
	High	Med	Low †
0.1	1623	1509	1403
0.2	1583	1465	1357
0.3	1539	1420	1309
0.4	1494	1373	1260
0.5	1450	1326	1211
0.6	1399	1276	1159
0.7	1353	1223	1102

1. Values are with wet coil, no filter, and no heaters  
2. CFM Correction for dry coil = Add 3%  
3. † = Factory setting  
4. Low = Taps 1–3, Med = Tap 4, High = Tap 5  
5. In downflow applications, airflow must not exceed 1600 cfm due to condensate blowoff.

Table 13. Electrical Data

TEM4A0C42S41SC											
Heater Model No.	No. of Circuits/ Phases	240 Volt					208 Volt				
		Capacity		Heater Amps per Circuit	Minimum Circuit Ampacity	Maximum Overload Protection	Capacity		Heater Amps per Circuit	Minimum Circuit Ampacity	Maximum Overload Protection
		kW	BTUH				kW	BTUH			
No Heater				4.1 *	5	15			4.1 *	5	15
BAYHTR1504BRK BAYHTR1504LUG	1/1	3.84	13100	16.0	25	25	2.88	9800	13.8	22	25
BAYHTR1505BRK BAYHTR1505LUG	1/1	4.8	16400	20.0	30	30	3.6	12300	17.3	27	30
BAYHTR1508BRK BAYHTR1508LUG	1/1	7.68	26200	32.0	45	45	5.76	19700	27.7	40	40
BAYHTR1510BRK BAYHTR1510LUG	1/1	9.6	32800	40.0	55	60	7.2	24600	34.6	48	50
BAYHTR1517BRK- Circuit 1 <sup>(a)</sup>	2/1	9.6	32800	40.0	55	60	7.2	24600	34.6	48	50
BAYHTR1517BRK- Circuit 2		4.8	16400	20.0	25	25	3.6	12300	17.3	22	25
BAYHTR1523BRK- Circuit 1 <sup>(a)</sup>	2/1	9.6	32800	40.0	55	60	7.2	24600	34.6	48	50
BAYHTR1523BRK- Circuit 2		9.6	32800	40.0	50	50	7.2	24600	34.6	43	45
BAYHTR3510LUG	1/3	9.6	32800	23.1	33	35	7.2	24600	20.0	30	30
BAYHTR3517LUG	1/3	14.4	49200	34.6	48	50	10.8	36900	30.0	42	45
BAYHTR1517BRK with single circuit power source kit BAYSPEKT201A	1/1	14.4	49200	60.0	83	90	10.8	36900	51.9	73	80
BAYHTR1523BRK with single circuit power source kit BAYSPEKT201A	1/1	19.2	65600	80.0	108	110	14.4	49200	69.2	94	100

\* = Motor Amps

<sup>(a)</sup> MCA and MOP for circuit 1 contains the motor amps.

**Performance and Electrical Data**

**Table 14. Air Flow Performance**

<b>TEM4A0C43M41SB</b>					
EXTERNAL STATIC (in w.g)	AIRFLOW				
	Speed Taps — 208 – 230 VOLTS				
	<b>High</b>	<b>Med-High</b>	<b>Med †</b>	<b>Med-Low</b>	<b>Low</b>
0.1	1491.6	1418.1	1302.5	1267.8	1140.4
0.2	1459.7	1384.7	1266.3	1230.1	1096.4
0.3	1425.8	1349.2	1227.8	1189.7	1050.3
0.4	1389.8	1311.3	1187.0	1146.8	1002.1
0.5	1351.6	1271.3	1144.0	1101.4	951.7
0.6	1311.4	1229.0	1098.7	1053.3	899.3
0.7	1269.1	1184.4	1051.1	1002.7	844.7

1. Values are with wet coil, no filter, and no heaters  
2. CFM Correction for dry coil = Add 3%  
3. † = Factory Setting  
4. In downflow applications, airflow must not exceed 1600 cfm due to condensate blowoff.  
5. Low = Tap 1, Med-Low = Tap 2, Med = Tap 3, Med-High= Tap 4, High = Tap 5

**Table 15. Electrical Data**

<b>TEM4A0C43M41SB</b>											
Heater Model No.	No. of Circuits/ Phases	240 Volt					208 Volt				
		Capacity		Heater Amps per Circuit	Minimum Circuit Ampacity	Maximum Overload Protection	Capacity		Heater Amps per Circuit	Minimum Circuit Ampacity	Maximum Overload Protection
		kW	BTUH				kW	BTUH			
No Heater				4.1 *	8	15			4.1 *	8	15
BAYHTR1504BRK BAYHTR1504LUG	1/1	3.8	13100	16.0	28	30	2.9	9800	13.8	25	25
BAYHTR1505BRK BAYHTR1505LUG	1/1	4.8	16400	20.0	33	35	3.6	12300	17.3	29	30
BAYHTR1508BRK BAYHTR1508LUG	1/1	7.7	26200	32.0	48	50	5.8	19700	27.7	42	45
BAYHTR1510BRK BAYHTR1510LUG	1/1	9.6	32800	40.0	58	60	7.2	24600	34.6	51	60
BAYHTR1517BRK- Circuit 1 <sup>(a)</sup>	2/1	9.6	32800	40.0	58	60	7.2	24600	34.6	51	60
BAYHTR1517BRK- Circuit 2		4.8	16400	20.0	25	25	3.6	12300	17.3	22	25
BAYHTR1523BRK- Circuit 1 <sup>(a)</sup>	2/1	9.6	32800	40.0	58	60	7.2	24600	34.6	51	60
BAYHTR1523BRK- Circuit 2		9.6	32800	40.0	50	50	7.2	24600	34.6	43	45
BAYHTR3510LUG	1/3	9.6	32800	23.1	36	40	7.2	24600	20.0	32	35
BAYHTR3517LUG	1/3	14.4	49100	34.6	50	50	10.8	36900	30.0	44	45
BAYHTR1517BRK with single circuit power source kit BAYSPEKT201A	1/1	14.4	49200	60.0	83	90	10.8	36900	51.9	73	80

\* = Motor Amps

<sup>(a)</sup> MCA and MOP for circuit 1 contains the motor amps.

Performance and Electrical Data

Table 16. Air Flow Performance

TEM4A0C48S41SC			
EXTERNAL STATIC (in w.g)	AIRFLOW		
	Speed Taps — 208–230 VOLTS		
	High	Med	Low †
0.1	1784	1698	1634
0.2	1748	1662	1595
0.3	1715	1627	1559
0.4	1682	1591	1521
0.5	1650	1558	1488
0.6	1618	1525	1455
0.7	1499	1494	1422

1. Values are with wet coil, no filter, and no heaters  
2. CFM Correction for dry coil = Add 3%  
3. † = Factory setting  
4. Low = Taps 1–3, Med = Tap 4, High = Tap 5  
5. In downflow applications, airflow must not exceed 1600 cfm due to condensate blowoff.

Table 17. Electrical Data

TEM4A0C48S41SC											
Heater Model No.	No. of Circuits/ Phases	240 Volt					208 Volt				
		Capacity		Heater Amps per Circuit	Minimum Circuit Ampacity	Maximum Overload Protection	Capacity		Heater Amps per Circuit	Minimum Circuit Ampacity	Maximum Overload Protection
		kW	BTUH				kW	BTUH			
No Heater				6.0 *	8	15			6.0 *	8	15
BAYHTR1504BRK BAYHTR1504LUG	1/1	3.84	13100	16.0	28	30	2.88	9800	13.8	25	25
BAYHTR1505BRK BAYHTR1505LUG	1/1	4.8	16400	20.0	33	35	3.6	12300	17.3	29	30
BAYHTR1508BRK BAYHTR1508LUG	1/1	7.68	26200	32.0	48	50	5.76	19700	27.7	42	45
BAYHTR1510BRK BAYHTR1510LUG	1/1	9.6	32800	40.0	58	60	7.2	24600	34.6	51	60
BAYHTR1517BRK- Circuit 1 (a)	2/1	9.6	32800	40.0	58	60	7.2	24600	34.6	51	60
BAYHTR1517BRK- Circuit 2		4.8	16400	20.0	25	25	3.6	12300	17.3	22	25
BAYHTR1523BRK- Circuit 1 (a)	2/1	9.6	32800	40.0	58	60	7.2	24600	34.6	51	60
BAYHTR1523BRK- Circuit 2		9.6	32800	40.0	50	50	7.2	24600	34.6	43	45
BAYHTR1525BRK- Circuit 1 (a)	4/1	6.0	20500	25.0	39	40	4.5	15400	21.6	35	35
BAYHTR1525BRK- Circuit 2		6.0	20500	25.0	31	35	4.5	15400	21.6	27	30
BAYHTR1525BRK- Circuit 3		6.0	20500	25.0	31	35	4.5	15400	21.6	27	30
BAYHTR1525BRK- Circuit 4		6.0	20500	25.0	31	35	4.5	15400	21.6	27	30
BAYHTR3510LUG	1/3	9.6	32800	23.1	36	40	7.2	24600	20.0	32	35
BAYHTR3517LUG	1/3	14.4	49100	34.6	50	50	10.8	36900	30.0	44	45

**Performance and Electrical Data**

**Table 17. Electrical Data (continued)**

<b>TEM4A0C48S41SC</b>											
BAYHTR1517BRK with single circuit power source kit BAYSPEKT201A	1/1	14.4	49200	60.0	83	90	10.8	36900	51.9	73	80
BAYHTR1523BRK with single circuit power source kit BAYSPEKT201A	1/1	19.2	65600	80.0	108	110	14.4	49200	69.2	94	100
* = Motor Amps											

(a) MCA and MOP for circuit 1 contains the motor amps.

Performance and Electrical Data

Table 18. Air Flow Performance

TEM4A0C49M41SB, TEM4A0C61M51SB					
EXTERNAL STATIC (in w.g)	AIRFLOW				
	Speed Taps — 208 – 230 VOLTS				
	High	Med-High	Med †	Med-Low	Low
0.1	1954.3	1790.6	1578.2	1546.0	1296.6
0.2	1908.4	1733.6	1520.4	1487.4	1223.5
0.3	1860.4	1676.3	1461.2	1427.0	1150.5
0.4	1810.3	1618.9	1400.5	1364.8	1077.4
0.5	1758.1	1561.2	1338.5	1300.6	1004.3
0.6	1703.8	1503.2	1275.1	1234.5	931.3
0.7	1647.4	1445.1	1210.2	1166.6	858.2

1. Values are with wet coil, no filter, and no heaters  
2. CFM Correction for dry coil = Add 3%  
3. † = Factory Setting  
4. In downflow applications, airflow must not exceed 1600 cfm due to condensate blowoff.  
5. Low = Tap 1, Med-Low = Tap 2, Med = Tap 3, Med-High= Tap 4, High = Tap 5

Table 19. Electrical Data

TEM4A0C49M41SB, TEM4A0C61M51SB											
Heater Model No.	No. of Circuits/ Phases	240 Volt					208 Volt				
		Capacity		Heater Amps per Circuit	Minimum Circuit Ampacity	Maximum Overload Protection	Capacity		Heater Amps per Circuit	Minimum Circuit Ampacity	Maximum Overload Protection
		kW	BTUH				kW	BTUH			
No Heater				6.0 *	8	15			6.0 *	8	15
BAYHTR1504BRK BAYHTR1504LUG	1/1	3.8	131-00	16.0	28	30	2.9	9800	13.8	25	25
BAYHTR1505BRK BAYHTR1505LUG	1/1	4.8	164-00	20.0	33	35	3.6	123-00	17.3	29	30
BAYHTR1508BRK BAYHTR1508LUG	1/1	7.7	262-00	32.0	48	50	5.8	197-00	27.7	42	45
BAYHTR1510BRK BAYHTR1510LUG	1/1	9.6	328-00	40.0	58	60	7.2	246-00	34.6	51	60
BAYHTR1517BRK- Circuit 1 (a)	2/1	9.6	328-00	40.0	58	60	7.2	246-00	34.6	51	60
BAYHTR1517BRK- Circuit 2		4.8	164-00	20.0	25	25	3.6	123-00	17.3	22	25
BAYHTR1523BRK- Circuit 1 (a)	2/1	9.6	328-00	40.0	58	60	7.2	246-00	34.6	51	60
BAYHTR1523BRK- Circuit 2		9.6	328-00	40.0	50	50	7.2	246-00	34.6	43	45
BAYHTR1525BRK- Circuit 1 (a)	4/1	6.0	205-00	25.0	39	40	4.5	154-00	21.6	35	35
BAYHTR1525BRK- Circuit 2		6.0	205-00	25.0	31	35	4.5	154-00	21.6	27	30
BAYHTR1525BRK- Circuit 3		6.0	205-00	25.0	31	35	4.5	154-00	21.6	27	30
BAYHTR1525BRK- Circuit 4		6.0	205-00	25.0	31	35	4.5	154-00	21.6	27	30

**Performance and Electrical Data**

**Table 19. Electrical Data (continued)**

<b>TEM4A0C49M41SB, TEM4A0C61M51SB</b>											
BAYHTR3510LUG	1/3	9.6	328-00	23.1	36	40	7.2	246-00	20.0	32	35
BAYHTR3517LUG	1/3	14.4	491-00	34.6	50	50	10.8	369-00	30.0	44	45
BAYHTR1517BRK with single circuit power source kit BAYSPEKT201A	1/1	14.4	492-00	60.0	83	90	10.8	369-00	51.9	73	80
BAYHTR1523BRK with single circuit power source kit BAYSPEKT201A	1/1	19.2	656-00	80.0	108	110	14.4	492-00	69.2	94	100
* = Motor Amps											

(a) MCA and MOP for circuit 1 contains the motor amps.

Performance and Electrical Data

Table 20. Air Flow Performance

TEM4A0C60S51SC			
EXTERNAL STATIC (in w.g)	AIRFLOW		
	Speed Taps — 208 – 230 VOLTS		
	High	Med †	Low
0.1	1836	1744	1665
0.2	1790	1698	1612
0.3	1743	1650	1560
0.4	1694	1601	1509
0.5	1644	1550	1457
0.6	1593	1499	1406
0.7	1540	1447	1355

1. Values are with wet coil, no filter, and no heaters  
2. CFM Correction for dry coil = Add 3%  
3. † = Factory Setting  
4. Low = Taps 1-3, Med = Tap 4, High = Tap 5  
5. BAYTEMDFKT1A must be used for downflow applications and airflow must not exceed 1800 cfm.

Table 21. Electrical Data

TEM4A0C60S51SC											
Heater Model No.	No. of Circuits/ Phases	240 Volt					208 Volt				
		Capacity		Heater Amps per Circuit	Minimum Circuit Ampacity	Maximum Overload Protection	Capacity		Heater Amps per Circuit	Minimum Circuit Ampacity	Maximum Overload Protection
		kW	BTUH				kW	BTUH			
No Heater				6.0 *	8	15			6.0 *	8	15
BAYHTR1504BRK BAYHTR1504LUG	1/1	3.84	13100	16.0	28	30	2.88	9800	13.8	25	25
BAYHTR1505BRK BAYHTR1505LUG	1/1	4.8	16400	20.0	33	35	3.6	12300	17.3	29	30
BAYHTR1508BRK BAYHTR1508LUG	1/1	7.68	26200	32.0	48	50	5.76	19700	27.7	42	45
BAYHTR1510BRK BAYHTR1510LUG	1/1	9.6	32800	40.0	58	60	7.2	24600	34.6	51	60
BAYHTR1517BRK- Circuit 1 (a)	2/1	9.6	32800	40.0	58	60	7.2	24600	34.6	51	60
BAYHTR1517BRK- Circuit 2		4.8	16400	20.0	25	25	3.6	12300	17.3	22	25
BAYHTR1523BRK- Circuit 1 (a)	2/1	9.6	32800	40.0	58	60	7.2	24600	34.6	51	60
BAYHTR1523BRK- Circuit 2		9.6	32800	40.0	50	50	7.2	24600	34.6	43	45
BAYHTR1525BRK- Circuit 1 (a)	4/1	6.0	20500	25.0	39	40	4.5	15400	21.6	35	35
BAYHTR1525BRK- Circuit 2		6.0	20500	25.0	31	35	4.5	15400	21.6	27	30
BAYHTR1525BRK- Circuit 3		6.0	20500	25.0	31	35	4.5	15400	21.6	27	30
BAYHTR1525BRK- Circuit 4		6.0	20500	25.0	31	35	4.5	15400	21.6	27	30
BAYHTR3510LUG	1/3	9.6	32800	23.1	36	40	7.2	24600	20.0	32	35
BAYHTR3517LUG	1/3	14.4	49100	34.6	50	50	10.8	36900	30.0	44	45

**Performance and Electrical Data**

**Table 21. Electrical Data (continued)**

<b>TEM4A0C60S51SC</b>											
BAYHTR1517BRK with single circuit power source kit BAYSPEKT201A	1/1	14.4	49200	60.0	83	90	10.8	36900	51.9	73	80
BAYHTR1523BRK with single circuit power source kit BAYSPEKT201A	1/1	19.2	65600	80.0	108	110	14.4	49200	69.2	94	100
* = Motor Amps											

(a) MCA and MOP for circuit 1 contains the motor amps.



# Electrical Data

Figure 1. TEM4A0B18-C37

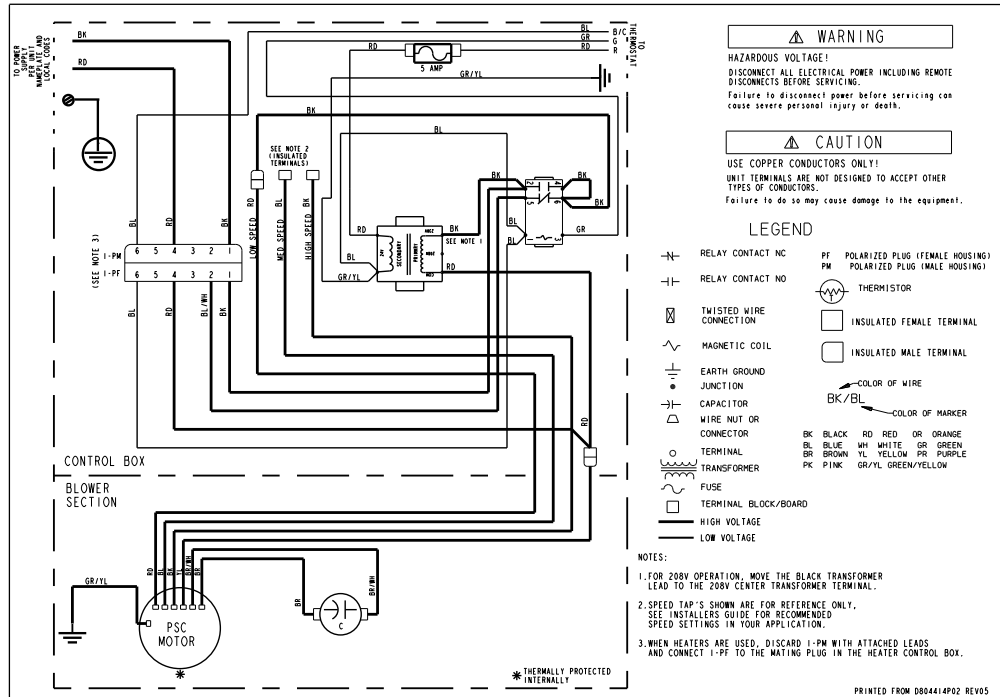
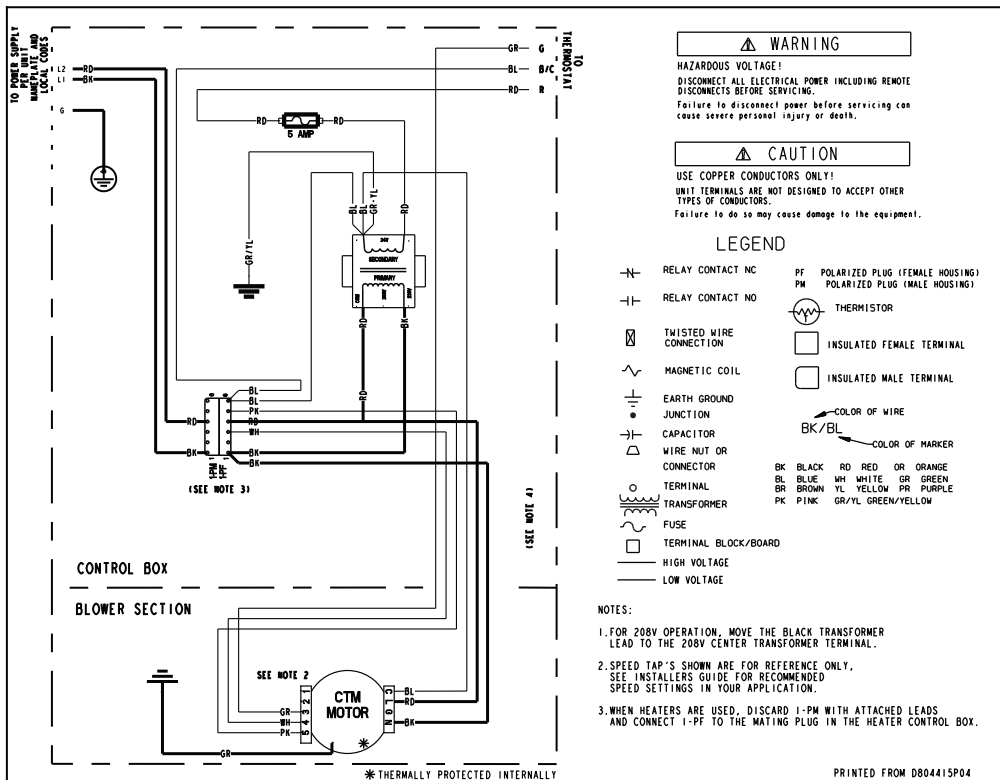
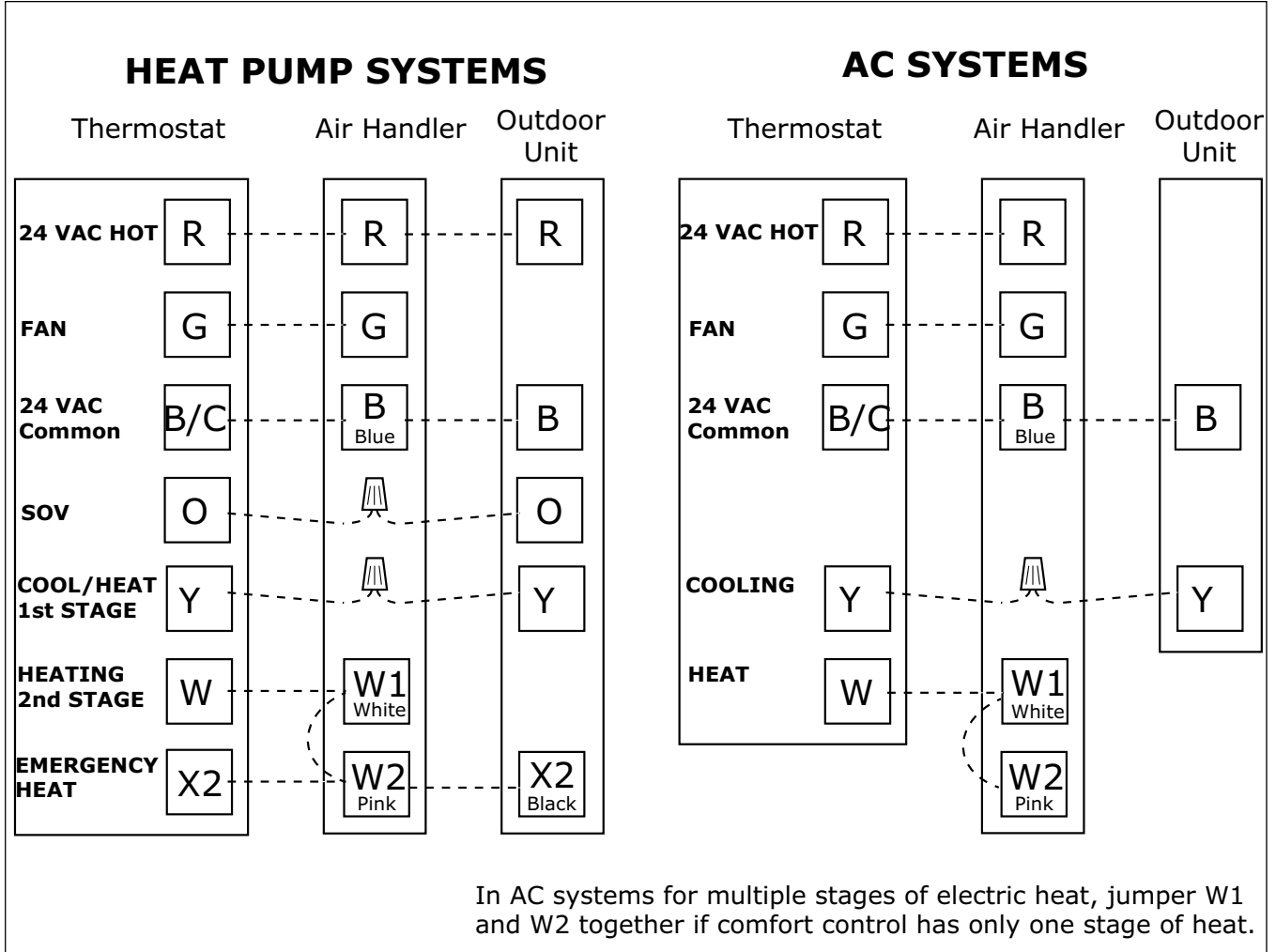


Figure 2. TEM4A0B19, B31, C42-C61



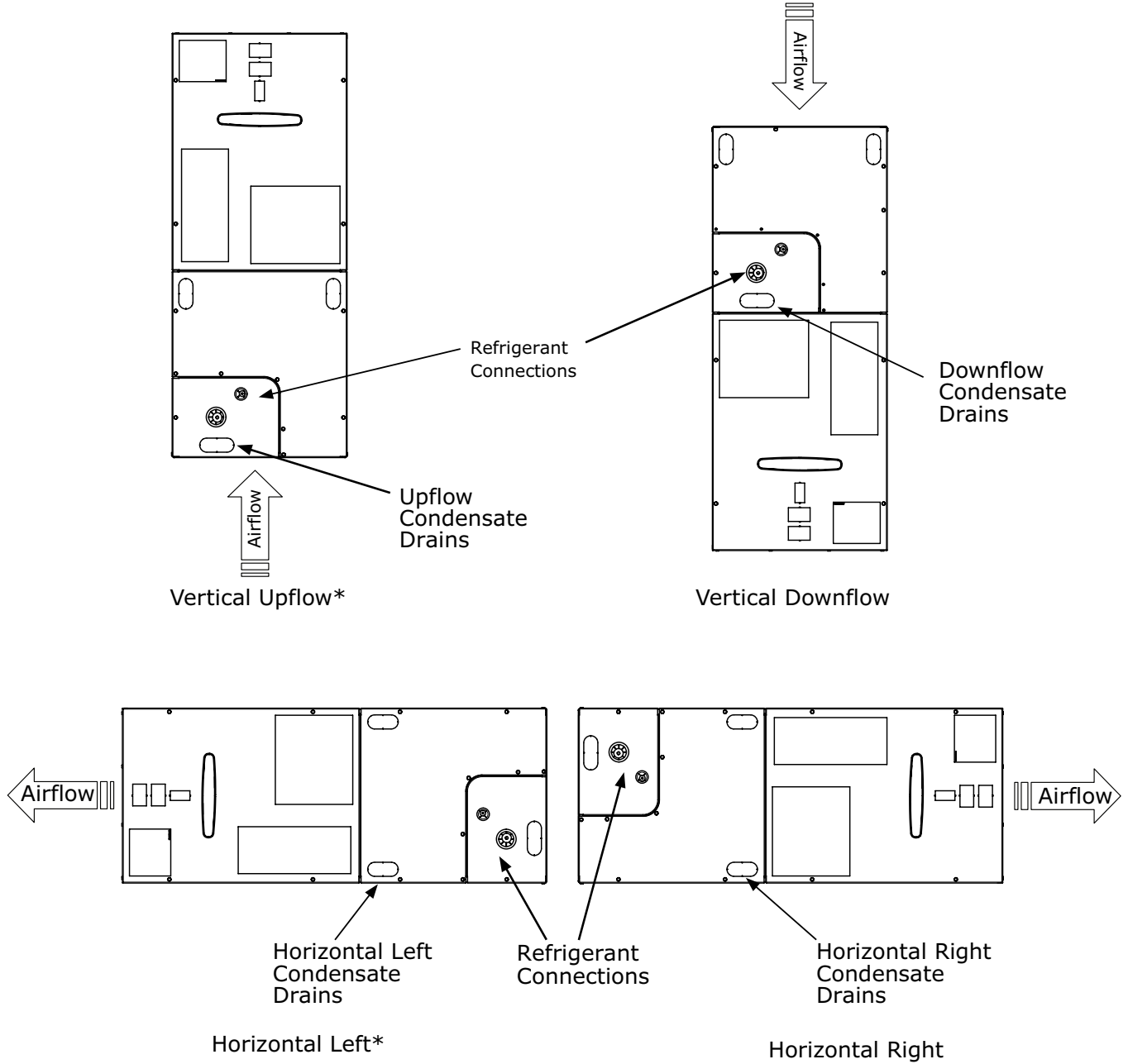
# Field Wiring

Figure 3. Field Wiring Diagrams

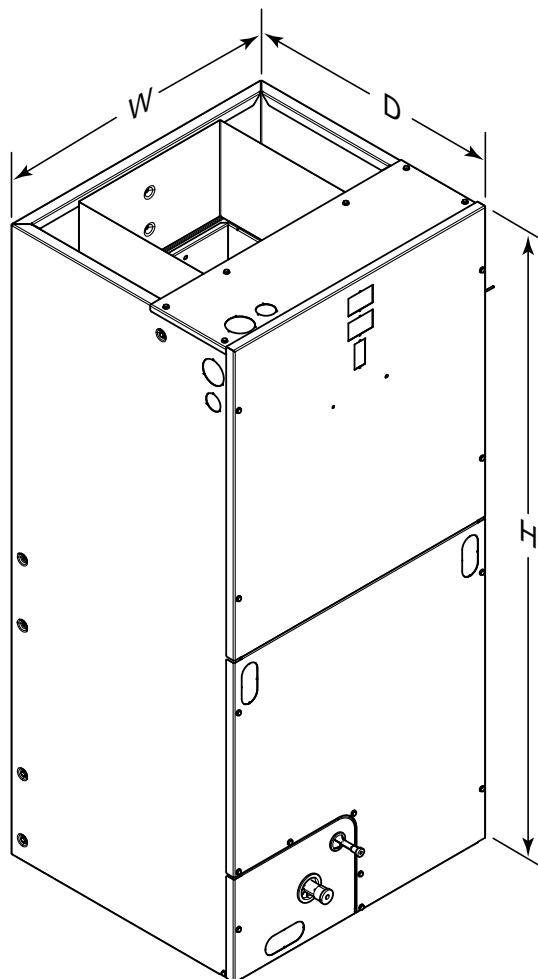


# TEM Convertibility

Figure 4. Multi-Position Air Handler  
\* = No Internal Modifications Required.

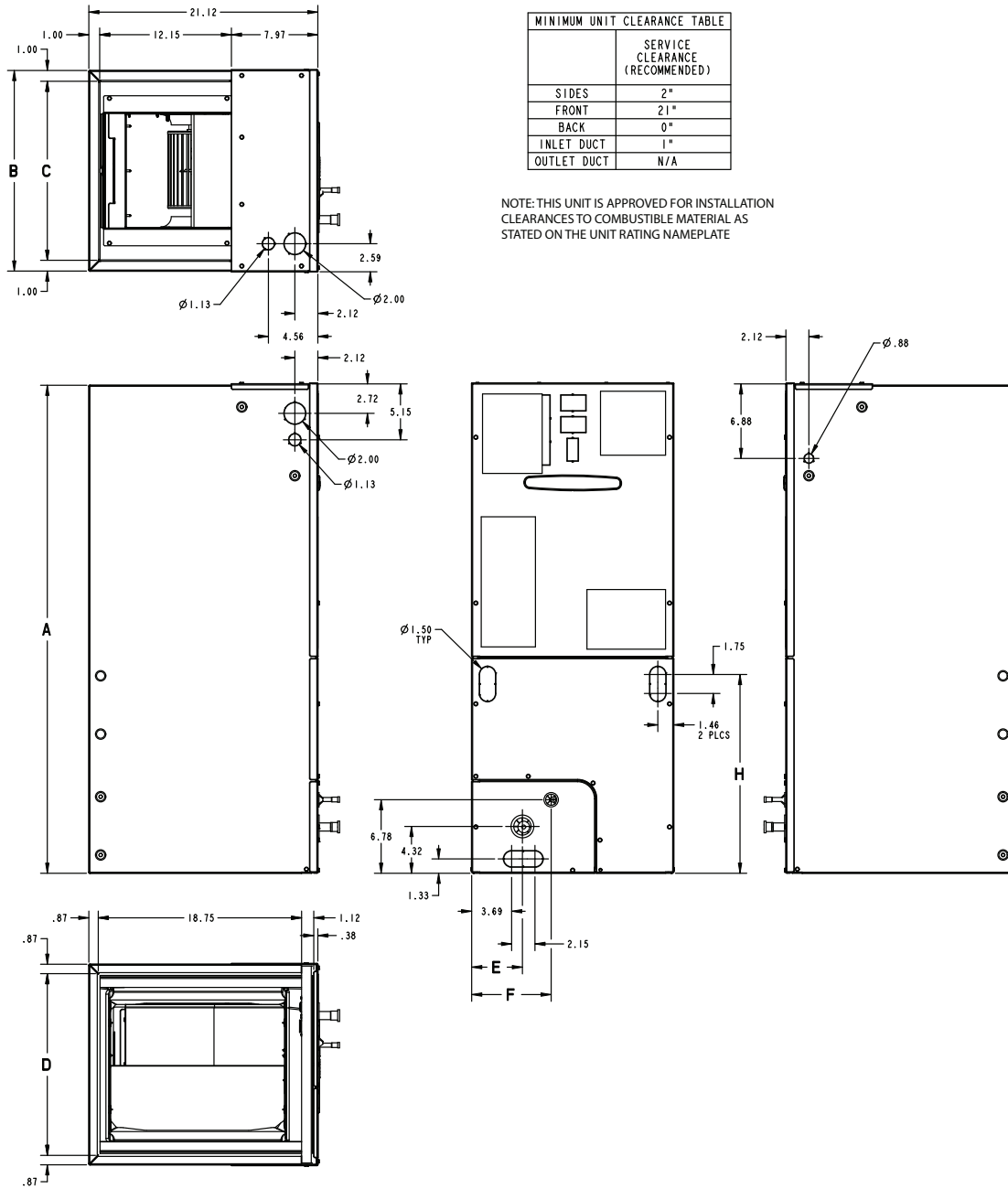


## TEM4 Air Handler Dimensional Data



Model No.	H	W	D
TEM4A0B18S21SC	45.02	18.50	21.13
TEM4A0B19M21SB	45.02	18.50	21.13
TEM4A0B24S21SC	45.02	18.50	21.13
TEM4A0B30S31SC	45.02	18.50	21.13
TEM4A0B31M31SB	46.77	18.50	21.13
TEM4A0B36S31SC	45.02	18.50	21.13
TEM4A0C37S31SC	51.27	23.50	21.13
TEM4A0C42S41SC	51.27	23.50	21.13
TEM4A0C43M41SB	51.27	23.50	21.13
TEM4A0C48S41SC	51.27	23.50	21.13
TEM4A0C49M41SB	57.40	23.50	21.13
TEM4A0C60S51SC	51.27	23.50	21.13
TEM4A0C61M51SB	57.40	23.50	21.13

## Outline Drawing



MINIMUM UNIT CLEARANCE TABLE	
	SERVICE CLEARANCE (RECOMMENDED)
SIDES	2"
FRONT	21"
BACK	0"
INLET DUCT	1"
OUTLET DUCT	N/A

NOTE: THIS UNIT IS APPROVED FOR INSTALLATION CLEARANCES TO COMBUSTIBLE MATERIAL AS STATED ON THE UNIT RATING NAMEPLATE

PRODUCT DIMENSIONS									
Air Handler Model	A	B	C	D	E	F	H	Flow Control	Gas Line Braze
TEM4A0B18, 19, 24, 30, 36	45.02	18.50	16.50	16.75	4.68	7.33	18.34	TXV	3/4
TEM4A0B31	46.77	18.50	16.50	16.75	4.68	7.33	20.09	TXV	3/4
TEM4A0C37, 42, 43, 48, 60	51.27	23.50	21.50	21.75	7.01	9.66	24.59	TXV	7/8
TEM4A0C49, TEM4A0C61	57.40	23.50	21.50	21.75	4.68	9.66	27.19	TXV	7/8

All dimensions are in inches





*American Standard*<sup>®</sup>  
HEATING & AIR CONDITIONING

About American Standard Heating and Air Conditioning

American Standard has been creating comfortable and affordable living environments for more than a century. For more information, please visit [www.americanstandardair.com](http://www.americanstandardair.com).



The manufacturer has a policy of continuous data improvement and it reserves the right to change design and specifications without notice. We are committed to using environmentally conscious print practices.

12-1358-1M-EN 04 Mar 2022  
Supersedes 12-1358-1L-EN (October 2020)

©2022 American Standard Heating and Air Conditioning