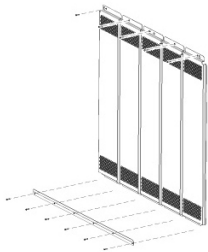


Installation Instructions

Hail Guards - R-410A Condenser Coil



Model Number: Used With:

BAYGARD058A TTA/TWA061, TTA/TWA073, TTA/TWA076, CTA/TTA/TWA090
 BAYGARD059A TTA086, TTA101, CTA/TTA120
 BAYGARD060A TWA101, TWA120, TTA126, TTA150
 BAYGARD061A TTA/TWA156, CTA/TTA/TWA180, TTA/TWA201, TTA/TWA240
 BAYGARD062A TTA251/300

SAFETY WARNING

Only qualified personnel should install and service the equipment. The installation, starting up, and servicing of heating, ventilating, and air-conditioning equipment can be hazardous and requires specific knowledge and training. Improperly installed, adjusted or altered equipment by an unqualified person could result in death or serious injury. When working on the equipment, observe all precautions in the literature and on the tags, stickers, and labels that are attached to the equipment.

December 2011

© 2011 Trane
All rights reserved

ACC-SVN109C-EN

1 Cautions, Warnings and Notices

WARNING

Indicates a potentially hazardous situation which, if not avoided, could result in death or serious injury.

CAUTION

Indicates a potentially hazardous situation which, if not avoided, could result in minor or moderate injury. It may also be used to alert against unsafe practices.

NOTICE

Indicates a situation that could result in equipment or property-damage only accidents.

Important: Environmental Concerns! Scientific research has shown that certain man-made chemicals can affect the earth's naturally occurring stratospheric ozone layer when released to the atmosphere. In particular, several of the identified chemicals that may affect the ozone layer are refrigerants that contain Chlorine, Fluorine and Carbon (CFCs) and those containing Hydrogen, Chlorine, Fluorine and Carbon (HCFCs). Not all refrigerants containing these compounds have the same potential impact to the environment. Trane advocates the responsible handling of all refrigerants-including industry replacements for CFCs such as HCFCs and HFCs.

Important: Responsible Refrigerant Practices! Trane believes that responsible refrigerant practices are important to the environment, our customers, and the air conditioning industry. All technicians who handle refrigerants must be certified. The Federal Clean Air Act (Section 608) sets forth the requirements for handling, reclaiming, recovering and recycling of certain refrigerants and the equipment that is used in these service procedures. In addition, some states or municipalities may have additional requirements that must also be adhered to for responsible management of refrigerants. Know the applicable laws and follow them.

2

WARNING

Personal Protective Equipment Required!

Installing/servicing this unit could result in exposure to electrical, mechanical and chemical hazards. Before installing/servicing this unit, technicians MUST put on all Personal Protective Equipment (PPE) recommended for the work being undertaken. ALWAYS refer to appropriate MSDS sheets and OSHA guidelines for proper PPE. When working with or around hazardous chemicals, ALWAYS refer to the appropriate MSDS sheets and OSHA guidelines for information on allowable personal exposure levels, proper respiratory protection and handling recommendations. If there is a risk of arc or flash, technicians MUST put on all necessary Personal Protective Equipment (PPE) in accordance with NFPA70E for arc/flash protection PRIOR to servicing the unit. Failure to follow recommendations could result in death or serious injury.

Important: This document is customer property and should remain with the unit's service information pack.

Important: Environmental Concerns! Scientific research has shown that certain man-made chemicals can affect the earth's naturally occurring stratospheric ozone layer when released to the atmosphere. In particular, several of the identified chemicals that may affect the ozone layer are refrigerants that contain Chlorine, Fluorine and Carbon (CFCs) and those containing Hydrogen, Chlorine, Fluorine and Carbon (HCFCs). Not all refrigerants containing these compounds have the same potential impact to the environment. Trane advocates the responsible handling of all refrigerants-including industry replacements for CFCs such as HCFCs and HFCs.

Important: Responsible Refrigerant Practices! Trane believes that responsible refrigerant practices are important to the environment, our customers, and the air conditioning industry. All technicians who handle refrigerants must be certified. The Federal Clean Air Act (Section 608) sets forth the requirements for handling, reclaiming, recovering and recycling of certain refrigerants and the equipment that is used in these service procedures. In addition, some states or municipalities may have additional requirements that must also be adhered to for responsible management of refrigerants. Know the applicable laws and follow them.

3

WARNING

Personal Protective Equipment Required!

Installing/servicing this unit could result in exposure to electrical, mechanical and chemical hazards. Before installing/servicing this unit, technicians MUST put on all Personal Protective Equipment (PPE) recommended for the work being undertaken. ALWAYS refer to appropriate MSDS sheets and OSHA guidelines for proper PPE. When working with or around hazardous chemicals, ALWAYS refer to the appropriate MSDS sheets and OSHA guidelines for information on allowable personal exposure levels, proper respiratory protection and handling recommendations. If there is a risk of arc or flash, technicians MUST put on all necessary Personal Protective Equipment (PPE) in accordance with NFPA70E for arc/flash protection PRIOR to servicing the unit. Failure to follow recommendations could result in death or serious injury.

General

The accessory hail guards referred to in this installation guide are provided for use with R-410A condensing units. See Table 1 to determine which hail guard assembly is to be used with each unit.

Inspection

Inspect material carefully for any shipping damage. If any damage is found it must be reported immediately and a claim made against the transportation company.

Table 1. R-410A Hail Guard Selection Chart

| Hail Guard Kit | Unit |
|----------------|----------------------------------------------------|
| BAYGARD058A | TTA/TWA061, TTA/TWA073, TTA/TWA076, CTA/TTA/TWA090 |
| BAYGARD059A | TTA086, TTA101, CTA/TTA120 |
| BAYGARD060A | TWA101, TWA120, TTA126, TTA150 |
| BAYGARD061A | TTA/TWA156, CTA/TTA/TWA180, TTA/TWA201, TTA/TWA240 |
| BAYGARD062A | TTA251/300 |

Installation

⚠ WARNING

Hazardous Voltage w/Capacitors!

Disconnect all electric power, including remote disconnects and discharge all motor start/run capacitors before servicing. Follow proper lockout/tagout procedures to ensure the power cannot be inadvertently energized. For variable frequency drives or other energy storing components provided by Trane or others, refer to the appropriate manufacturer's literature for allowable waiting periods for discharge of capacitors. Verify with an appropriate voltmeter that all capacitors have discharged. Failure to disconnect power and discharge capacitors before servicing could result in death or serious injury.

- Using the holes in the guard panel, locate top of guard panel over the condenser coil and secure panel with the screws provided.

Important: Be sure the guard panel covers the entire condenser coil opening in the cabinet.

- Secure the bottom of the guard panel with the bracket provided.
- The brackets attach to the base of the unit with the screws provided.

Important: Important: Size of panels (and brackets) and number of screws will vary depending on kit. Please refer to the tables below to be sure all parts are correct for specific kits.

Figure 1. Hail Guard

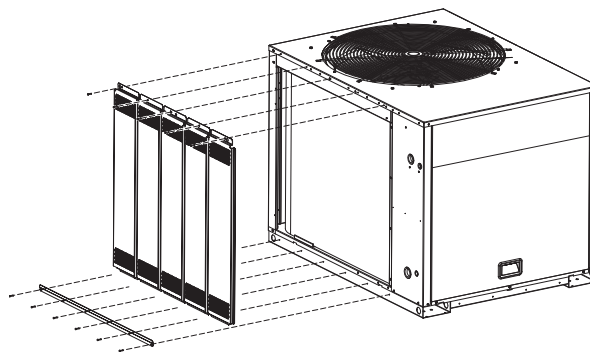


Table 2. R-410A Hail Guard Kits

| BAYGARD058A | | BAYGARD059A | |
|---------------------------------|----------|---------------------------------|----------|
| Description | Quantity | Description | Quantity |
| Hail Guard (37.14" x 29.35") | 3 | Hail Guard (36.89" x 39.67") | 2 |
| Screws (10-16 x 0.50) | 25 | Hail Guard (36.89" x 34.12") | 1 |
| Bracket (1.241" x 28.75") | 2 | Screws (10-16 x 0.50) | 28 |
| Bracket (1.241" x 21.5") | 1 | Bracket (1.241" x 37.25") | 2 |
| | | Bracket (1.241" x 22.75") | 1 |

| BAYGARD060A | | BAYGARD061A | |
|---------------------------------|----------|---------------------------------|----------|
| Description | Quantity | Description | Quantity |
| Hail Guard (42.89" x 39.67") | 1 | Hail Guard (42.52" x 17.09") | 2 |
| Hail Guard (42.89" x 41.82") | 1 | Hail Guard (42.52" x 41.68") | 4 |
| Hail Guard (42.89" x 34.12") | 1 | Screws (10-16 x 0.50) | 38 |
| Screws (10-16 x 0.50) | 28 | Bracket (1.241" x 24.75") | 2 |
| Bracket (1.241" x 37.25") | 2 | Bracket (1.241" x 14.75") | 2 |
| Bracket (1.241" x 22.75") | 1 | Bracket (1.241" x 42.75") | 2 |

| BAYGARD062A | |
|---------------------------------|----------|
| Description | Quantity |
| Hail Guard (48.52" x 17.09") | 2 |
| Hail Guard (48.52" x 41.68") | 4 |
| Screws (10-16 x 0.50) | 38 |
| Bracket (1.241" x 24.75") | 2 |
| Bracket (1.241" x 14.75") | 2 |
| Bracket (1.241" x 42.75") | 2 |

The manufacturer optimizes the performance of homes and buildings around the world. A business of Ingersoll Rand, the leader in creating and sustaining safe, comfortable and energy efficient environments, the manufacturer offers a broad portfolio of advanced controls and HVAC systems, comprehensive building services, and parts. For more information, visit www.IRCO.com.

The manufacturer has a policy of continuous product and product data improvement and reserves the right to change design and specifications without notice.