

Product Data

Split System Heat Pump

208-230V MODEL

4A6C4036A3000A

4A6C4042A3000A

4A6C4048A3000A

4A6C4060A3000A

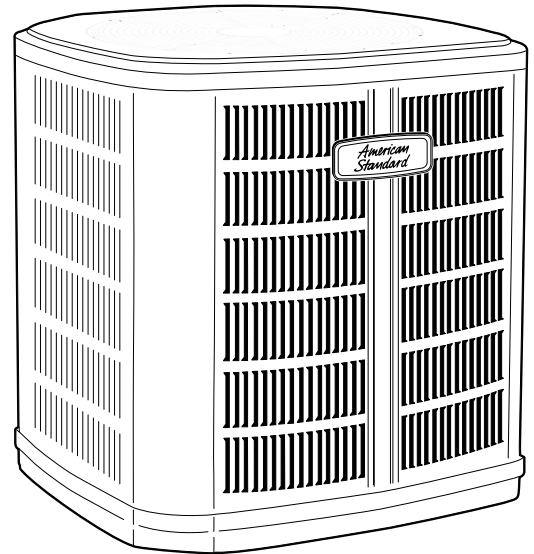
460V MODEL

4A6C4036A4000A

4A6C4042A4000A

4A6C4048A4000A

4A6C4060A4000A



Note: "Graphics in this document are for representation only. Actual model may differ in appearance."

Table of Contents

Product Specifications	3
Sound Power Level	5
Accessory Description and Usage	6
Model Nomenclature.....	6
Schematic	7
Outline Drawing	8
Mechanical Specification Options	9

Product Specifications

Table 1. 230v Models

OUTDOOR UNIT ^(a)	4A6C4036A3000A	4A6C4042A3000A	4A6C4048A3000A	4A6C4060A3000A
POWER CONNS. – V/PH/HZ ^(b)	208–230/3/60	208–230/3/60	208–230/3/60	208–230/3/60
MIN. BRCH. CIR. AMPACITY	13	18	18	21
BR. CIR. PROT. RTG. – MAX. (AMPS)	20	30	30	35
COMPRESSOR	DURATION®- SCROLL	DURATION®- SCROLL	DURATION®- SCROLL	DURATION®- SCROLL
R.L. AMPS – L.R. AMPS	9.9 – 70	13.5 – 88	13.7– 83.1	15.9 – 110
OUTDOOR FAN	PROPELLER	PROPELLER	PROPELLER	PROPELLER
DIA. (IN.) – NO. USED	27.6 – 1	27.6 – 1	27.6 – 1	27.6 – 1
NO. MOTORS – HP	1 – 1/8	1 – 1/5	1 – 1/5	1 – 1/5
F.L. AMPS	0.8	1.1	1.1	1.1
OUTDOOR COIL – TYPE	SPINE FIN™	SPINE FIN™	SPINE FIN™	SPINE FIN™
REFRIGERANT				
LBS. – R-410A (O.D. UNIT)	6 LBS., 12 OZ	6 LBS., 5 OZ	9 LBS., 0 OZ	10 LBS., 14 OZ
LINE SIZE – IN. O.D. GAS ^(c) ^(d)	7/8	7/8	7/8	1 – 1/8
LINE SIZE – IN. O.D. LIQ.	3/8	3/8	3/8	3/8
CHARGING SPECIFICATIONS				
SUBCOOLING	10°F	10°F	10°F	8°F
DIMENSIONS	H X W X D	H X W X D	H X W X D	H X W X D
CRATED (IN.)	34.4 x 38.7 x 35.1	34.4 x 38.7 x 35.1	38.4 x 38.7 x 35.1	51 x 38.7 x 35.1
WEIGHT				
SHIPPING (LBS.)	240	240	252	325
NET (LBS.)	208	208	218	275
Optional Accessories:				
Anti-short Cycle Timer	TAYASCT501A	TAYASCT501A	TAYASCT501A	TAYASCT501A
Evaporator Defrost Control	AY28X084	AY28X084	AY28X084	AY28X084
Rubber Isolator Kit	BAYISLT101	BAYISLT101	BAYISLT101	BAYISLT101
Extreme Condition Mount Kit	BAYECMT004	BAYECMT004	BAYECMT004	BAYECMT004
Seacoast Kit	BAYSEAC001	BAYSEAC001	BAYSEAC001	BAYSEAC001
Low Ambient Kit	BAYLOAM107	BAYLOAM107	BAYLOAM107	BAYLOAM107
Sound Enclosure	BAYSDEN004	BAYSDEN004	BAYSDEN004	BAYSDEN004
Service Valve Panel Cover	TAYSVPANL3343AA	TAYSVPANL3343AA	TAYSVPANL0046AA	TAYSVPANL0032AA
Refrigerant Lineset ^(e)				

^(a) Certified in accordance with the Air-Source Unitary Air-conditioner Equipment certification program, which is based on AHRI standard 210/240.

^(b) Calculated in accordance with N.E.C. Only use HACR circuit breakers or fuses.

^(c) Reference the outdoor unit ship-with literature for refrigerant piping length and lift guidelines. Reference the refrigerant piping software pub #32–3312–xx or refrigerant piping application guide SS-APG006–xx for long line sets or specialty applications (xx denotes latest revision).

^(d) The outdoor condensing units are factory charged with the system charge required for the outdoor condensing unit, ten (10) feet of tested connecting line, and the smallest rated indoor evaporative coil match. Always verify proper system charge via subcooling (TXV/EEV) or superheat (fixed orifice) per the unit nameplate.

^(e) 25, 30, 35, and 50 foot linesets available. For a complete listing of lineset options available from equipment or supply stores, refer to the American Standard Quick Reference Guide.

Product Specifications

Table 2. 460v Models

OUTDOOR UNIT ^(a)	4A6C4036A4000A	4A6C4042A4000A	4A6C4048A4000A	4A6C4060A4000A
POWER CONNS. – V/PH/HZ ^(b)	460/3/60	460/3/60	460/3/60	460/3/60
MIN. BRCH. CIR. AMPACITY	6	8	8	9
BR. CIR. PROT. RTG. – MAX. (AMPS)	15	15	15	15
COMPRESSOR	DURATION®- SCROLL	DURATION®- SCROLL	DURATION®- SCROLL	DURATION®- SCROLL
R.L. AMPS – L.R. AMPS	4.3 – 31	6 – 44	6.2 – 41	7.1 – 52
OUTDOOR FAN	PROPELLER	PROPELLER	PROPELLER	PROPELLER
DIA. (IN.) – NO. USED	27.6 – 1	27.6 – 1	27.6 – 1	27.6 – 1
NO. MOTORS – HP	1 – 1/8	1 – 1/5	1 – 1/5	1 – 1/5
F.L. AMPS	0.4	0.6	0.6	0.6
OUTDOOR COIL – TYPE	SPINE FIN™	SPINE FIN™	SPINE FIN™	SPINE FIN™
REFRIGERANT				
LBS. – R-410A (O.D. UNIT)	6 LBS., 12 OZ	6 LBS., 5 OZ	9 LBS., 0 OZ	10 LBS., 14 OZ
LINE SIZE — IN. O.D. GAS ^(c) ^(d)	7/8	7/8	7/8	1 – 1/8
LINE SIZE – IN. O.D. LIQ.	3/8	3/8	3/8	3/8
CHARGING SPECIFICATIONS				
SUBCOOLING	10°F	10°F	10°F	8°F
DIMENSIONS	H X W X D	H X W X D	H X W X D	H X W X D
CRATED (IN.)	34.4 x 38.7 x 35.1	34.4 x 38.7 x 35.1	38.4 x 38.7 x 35.1	51 x 38.7 x 35.1
WEIGHT				
SHIPPING (LBS.)	248	240	252	324
NET (LBS.)	216	208	218	274
Optional Accessories:				
Anti-short Cycle Timer	TAYASCT501A	TAYASCT501A	TAYASCT501A	TAYASCT501A
Evaporator Defrost Control	AY28X084	AY28X084	AY28X084	AY28X084
Rubber Isolator Kit	BAYISLT101	BAYISLT101	BAYISLT101	BAYISLT101
Extreme Condition Mount Kit	BAYECMT004	BAYECMT004	BAYECMT004	BAYECMT004
Seacoast Kit	BAYSEAC001	BAYSEAC001	BAYSEAC001	BAYSEAC001
Low Ambient Kit	BAYLOAM107	BAYLOAM107	BAYLOAM107	BAYLOAM107
Sound Enclosure	BAYSDEN004	BAYSDEN004	BAYSDEN004	BAYSDEN004
Service Valve Panel Cover	TAYSVPANL3343AA	TAYSVPANL3343AA	TAYSVPANL0046AA	TAYSVPANL0032AA
Refrigerant Lineset ^(e)				

^(a) Certified in accordance with the Air-Source Unitary Air-conditioner Equipment certification program, which is based on AHRI standard 210/240.

^(b) Calculated in accordance with N.E.C. Only use HACR circuit breakers or fuses.

^(c) Reference the outdoor unit ship-with literature for refrigerant piping length and lift guidelines. Reference the refrigerant piping software pub #32-3312-xx or refrigerant piping application guide SS-APG006-xx for long line sets or specialty applications (xx denotes latest revision).

^(d) The outdoor condensing units are factory charged with the system charge required for the outdoor condensing unit, ten (10) feet of tested connecting line, and the smallest rated indoor evaporative coil match. Always verify proper system charge via subcooling (TXV/EEV) or superheat (fixed orifice) per the unit nameplate.

^(e) 25, 30, 35, and 50 foot linesets available. For a complete listing of lineset options available from equipment or supply stores, refer to the American Standard Quick Reference Guide.

Sound Power Level

Sound Power Level									
MODEL	A-Weighted Sound Power Level [dB(A)]	Full Octave Sound Power(dB)							
		63 Hz*	125 Hz	250 Hz	500 Hz	1000 Hz	2000 Hz	4000 Hz	8000 Hz
4A6C4036A3	75	72	72	71	69	70	62	57	52
4A6C4042A3	74	85	74	68	69	69	63	58	54
4A6C4048A3	74	85	74	68	69	69	63	58	54
4A6C4060A3	74	85	74	68	69	69	63	58	54
Note: Rated in accordance with AHRI Standard 270-2008 *For reference only.									
4A6C4036A4	75	72	72	71	69	70	62	57	52
4A6C4042A4	74	85	74	68	69	69	63	58	54
4A6C4048A4	74	85	74	68	69	69	63	58	54
4A6C4060A4	74	85	74	68	69	69	63	58	54

Accessory Description and Usage

Anti-Short Cycle Timer — Solid state timing device that prevents compressor recycling until five (5) minutes have elapsed after satisfying call or power interruptions. Use in area with questionable power delivery, commercial applications, long lineset, etc.

Evaporation Defrost Control — SPST Temperature actuated switch that cycles the condenser off as indoor coil reaches freeze-up conditions. Used for low ambient cooling to 30°F with TXV.

Rubber Isolators — Five (5) large rubber donuts to isolate condensing unit from transmitting energy into mounting frame or pad. Use on any application where sound transmission needs to be minimized.

Extreme Condition Mount Kit — Bracket kits to securely mount condensing unit to a frame or pad without removing any panels. Use in areas with high winds, or on commercial roof tops, etc.

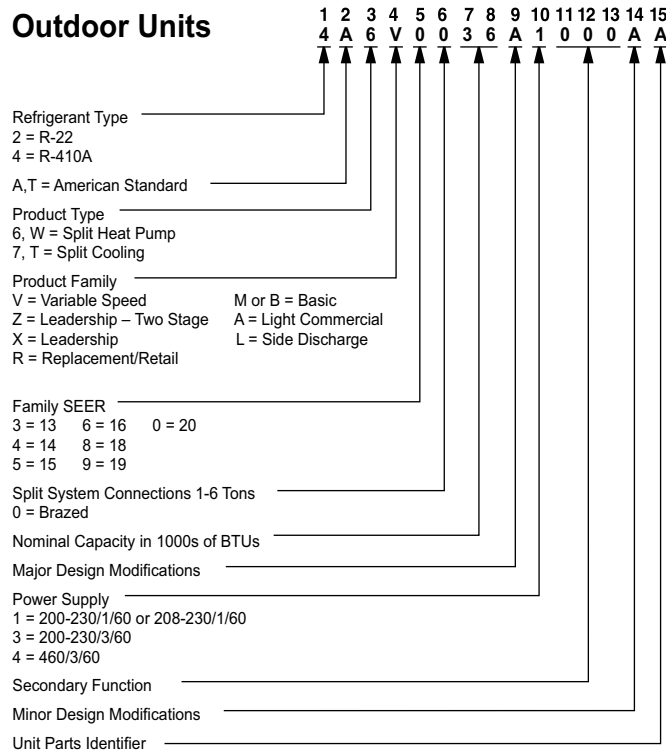
AHRI Standard Capacity Rating Conditions

AHRI Standard 210/240 Rating Conditions

1. Cooling 80°F DB, 67°F WB air entering indoor coil, 95°F DB air entering outdoor coil.
2. High Temperature Heating 47°F DB, 43°F WB air entering outdoor coil, 70°F DB air entering indoor coil.
3. Low Temperature Heating 17°F DB air entering outdoor coil.
4. Rated indoor airflow for heating is the same as for cooling.

AHRI Standard 270 Rating Conditions — (Noise rating numbers are determined with the unit in cooling operations.) Standard Noise Rating number is at 95°F outdoor air.

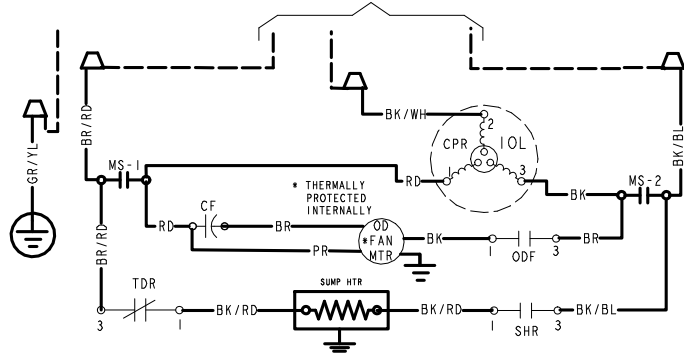
Model Nomenclature



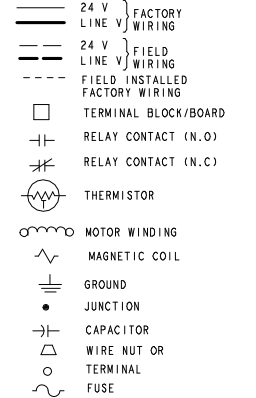
Schematic

Figure 1. 3.5, 4.0 & 5.0 Ton 460V Models

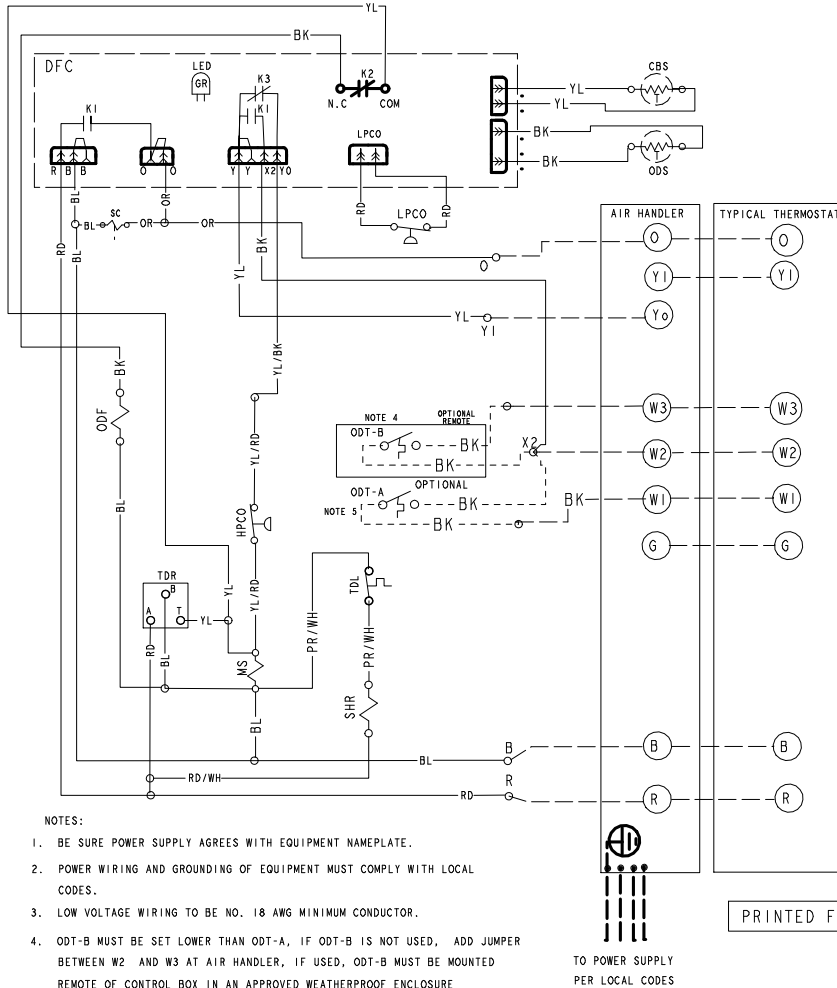
TO POWER SUPPLY PER UNIT NAMEPLATE AND LOCAL CODES



LEGEND



- ACR A/C RECTIFIER
- CBS COIL BOTTOM SENSOR
- CF FAN CAPACITOR
- CN WIRE CONNECTOR
- CPR COMPRESSOR
- CR RUN CAPACITOR
- CS STARTING CAPACITOR
- CSR CAPACITOR SWITCHING RELAY
- DFC DEFROST CONTROL
- EEV ELECTRONIC EXP VALVE
- EEVC ELECTRONIC EXP VALVE CONTROL
- F INDOOR FAN RELAY
- HPCO HIGH PRESSURE CUTOFF SWITCH
- IOL INTERNAL OVERLOAD PROTECTOR
- LPCO LOW PRESSURE CUTOFF SWITCH
- MS COMPRESSOR MOTOR CONTACTOR
- ODA OUTDOOR ANTICIPATOR
- ODF OUTDOOR FAN RELAY
- ODT OUTDOOR THERMOSTAT
- ODS OUTDOOR TEMPERATURE SENSOR
- ODT OUTDOOR THERMOSTAT
- P-TRD PRESSURE TRANSDUCER
- SC SWITCH OVER VALVE SOLENOID
- SHR SUMP HEATER RELAY
- SM SYSTEM ON-OFF SWITCH
- TDL DISCHARGE LINE THERMOSTAT
- TDR TIME DELAY RELAY (5 SEC DELAY ON)
- TNS TRANSFORMER
- TEMP SENSOR, TEMPERATURE
- Y2C HIGH CAPACITY CONTROL RELAY

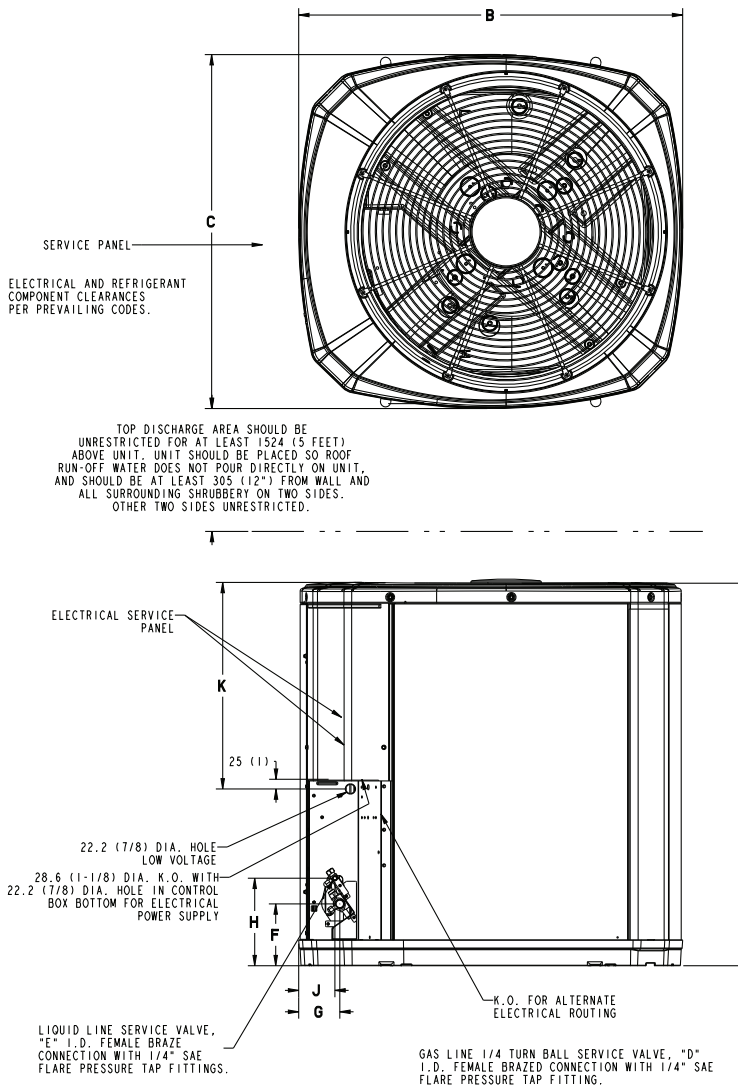


- NOTES:
1. BE SURE POWER SUPPLY AGREES WITH EQUIPMENT NAMEPLATE.
 2. POWER WIRING AND GROUNDING OF EQUIPMENT MUST COMPLY WITH LOCAL CODES.
 3. LOW VOLTAGE WIRING TO BE NO. 18 AWG MINIMUM CONDUCTOR.
 4. ODT-B MUST BE SET LOWER THAN ODT-A, IF ODT-B IS NOT USED, ADD JUMPER BETWEEN W2 AND W3 AT AIR HANDLER, IF USED, ODT-B MUST BE MOUNTED REMOTE OF CONTROL BOX IN AN APPROVED WEATHERPROOF ENCLOSURE
 5. IF ODT-A IS NOT USED, ADD JUMPER BETWEEN W1 AND W2 AT AIR HANDLER

PRINTED FROM D159490P01 REV A

TO POWER SUPPLY
PER LOCAL CODES

Outline Drawing



Model	Base	A	B	C	D	E	F	G	H	J	K
4A6A4036A3	4	741 (29-1/8)	946 (37-1/4)	870 (34-1/4)	3/4	3/8	143 (5-5/8)	83 (3-1/4)	206 (8-1/8)	70 (2-3/4)	508 (20)
4A6A4042A3	4	741 (29-1/8)	946 (37-1/4)	870 (34-1/4)	3/4	3/8	143 (5-5/8)	83 (3-1/4)	206 (8-1/8)	70 (2-3/4)	508 (20)
4A6A4048A3	4	841 (33-1/8)	946 (37-1/4)	870 (34-1/4)	3/4	3/8	156 (6)	98 (3-7/8)	219 (8-5/8)	86 (3-3/8)	508 (20)
4A6A4060A3	4	1147 (45-1/8)	946 (37-1/4)	870 (34-1/4)	7/8	3/8	152 (6)	98 (3-7/8)	219 (8-5/8)	86 (3-3/8)	813 (32)
4A6A4036A4	4	741 (29-1/8)	946 (37-1/4)	870 (34-1/4)	7/8	3/8	143 (5-5/8)	83 (3-1/4)	206 (8-1/8)	70 (2-3/4)	508 (20)
4A6A4042A4	4	741 (29-1/8)	946 (37-1/4)	870 (34-1/4)	3/4	3/8	143 (5-5/8)	83 (3-1/4)	206 (8-1/8)	70 (2-3/4)	508 (20)
4A6A4048A4	4	841 (33-1/8)	946 (37-1/4)	870 (34-1/4)	3/4	3/8	156 (6)	98 (3-7/8)	219 (8-5/8)	86 (3-3/8)	508 (20)
4A6A4060A4	4	1147 (45-1/8)	946 (37-1/4)	870 (34-1/4)	7/8	3/8	152 (6)	98 (3-7/8)	219 (8-5/8)	86 (3-3/8)	813 (32)

Mechanical Specification Options

General

The outdoor condensing units are factory charged with the system charge required for the outdoor condensing unit, ten (10) feet of tested connecting line, and the smallest rated indoor evaporative coil match. This unit is designed to operate at outdoor ambient temperatures as high as 115°F. Cooling capacities are matched with a wide selection of air handlers and furnace coils that are AHRI certified. The unit is certified to UL 1995. Exterior is designed for outdoor application.

Casing

Unit casing is constructed of heavy gauge, galvanized steel and painted with a weather-resistant powder paint finish. The corner panels are prepainted. All panels are subjected to our 1,000 hour salt spray test.

Refrigerant Controls

Refrigeration system controls include condenser fan, compressor contactor and low and high pressure switches. A factory supplied, field installed liquid line drier is standard.

Compressor

The compressor features internal over temperature and pressure protection. Other features include: Centrifugal oil pump and low vibration and noise.

Condenser Coil

The outdoor coil provides low airflow resistance and efficient heat transfer. The coil is protected on all four sides by louvered panels.

Low Ambient Cooling

As manufactured, this system has a cooling capacity to 55°F. The addition of an evaporator defrost control permits operation to 40°F. The addition of an evaporator defrost control with TXV permits low ambient cooling to 30°F.

The addition of the BAYLOAM107A low ambient kit permits ambient cooling to 20°F.

Thermostats—Cooling only and heat/cooling (manual and automatic change over). Sub-base to match thermostat and locking thermostat cover.

American Standard[®]
HEATING & AIR CONDITIONING

About American Standard Heating and Air Conditioning
American Standard has been creating comfortable and affordable living environments for more than a century. For more information, please visit www.americanstandardair.com.



The AHRI Certified mark indicates company participation in the AHRI Certification program. For verification of individual certified products, go to ahridirectory.org.

The manufacturer has a policy of continuous data improvement and it reserves the right to change design and specifications without notice. We are committed to using environmentally conscious print practices.